

Contact Details

Before using the product, please check the guide pages at the front of this catalog.

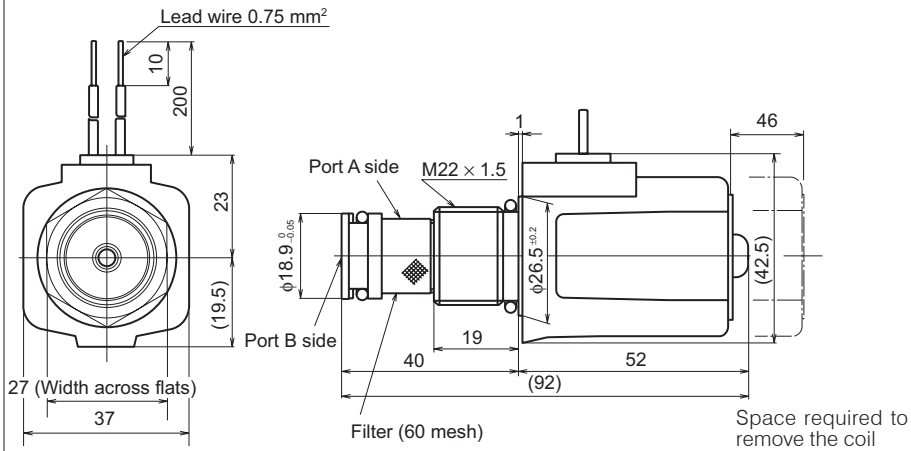
Internet

<https://www.daikinpmc.com/en/>

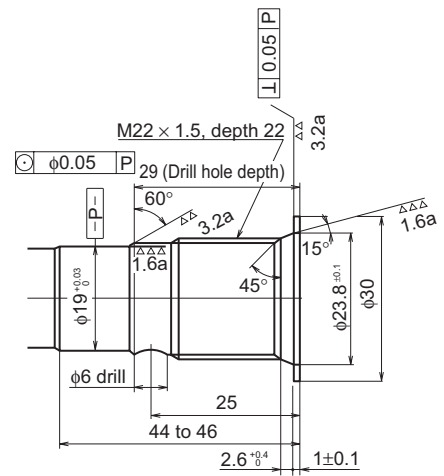
For latest information, PDF catalogs and operation manuals

External dimension diagram

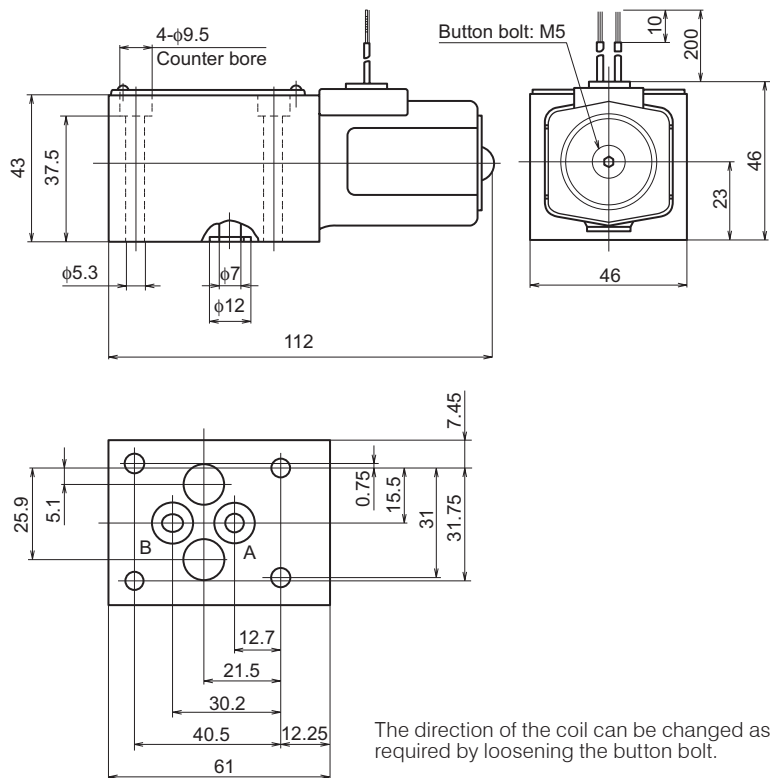
● JSC-C01-2※-10 (AC, DC)



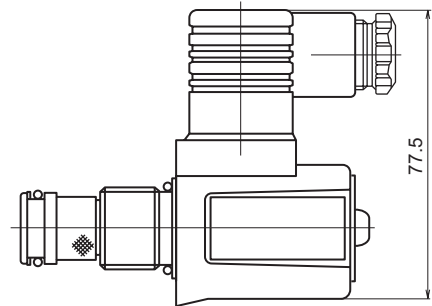
Mount dimensions



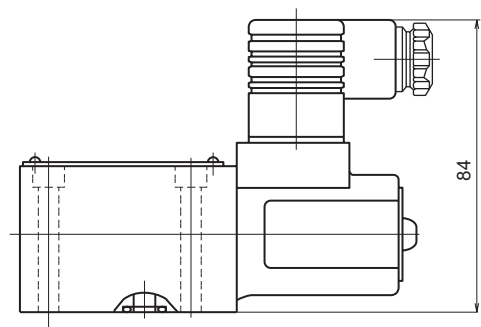
● JSC-G01-2※-10 (AC, DC)



● JSC-C01-2※-10-C (L) (Option)

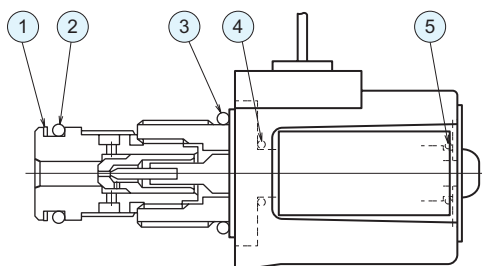


● JSC-G01-2※-10-C (L) (Option)



Sectional structural diagram

● JSC-C01



Sealing part table

Part No.	Name	Quantity	Part specifications
1	Backup ring	1	JIS B 2407 bias cut P15
2	O-ring	1	JIS B 2401 1BP15
3	O-ring	1	AS568-116 (NBR, Hs90)
4	O-ring	1	JIS B 2401 1BP12
5	O-ring	1	JIS B 2401 1BP11.2