

Contact Details

Before using the product, please check the guide pages at the front of this catalog.

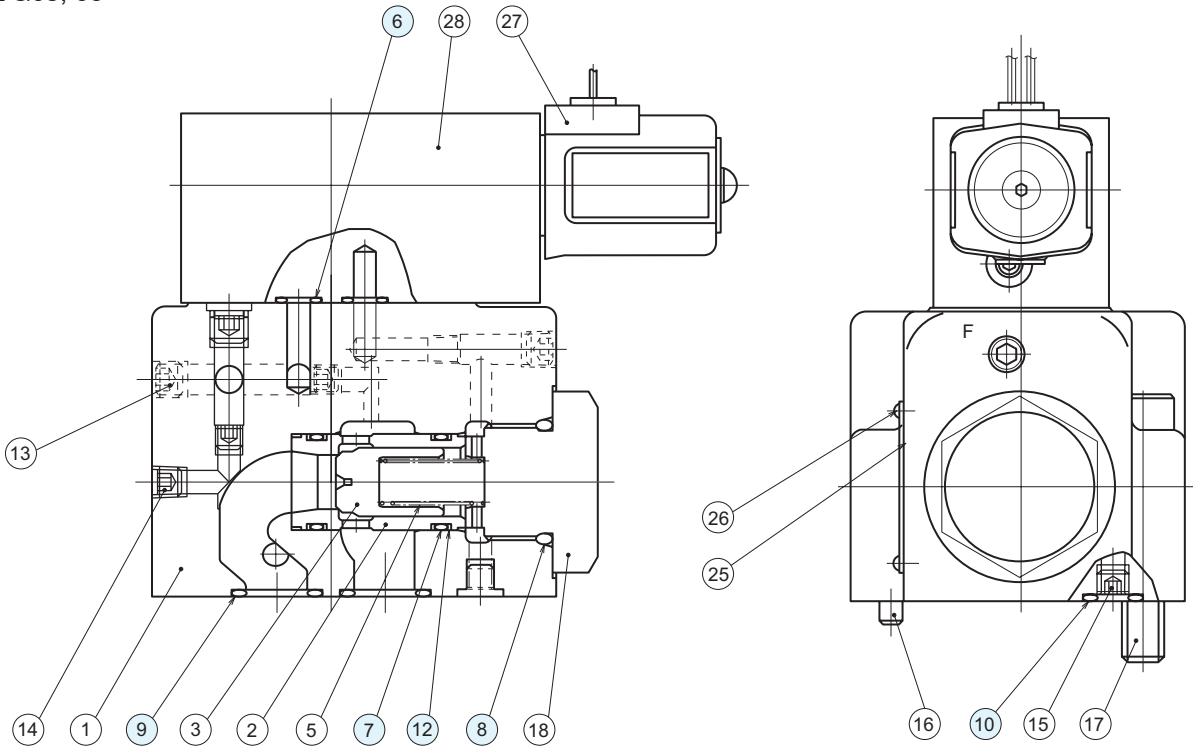
Internet

<https://www.daikinpmc.com/en/>

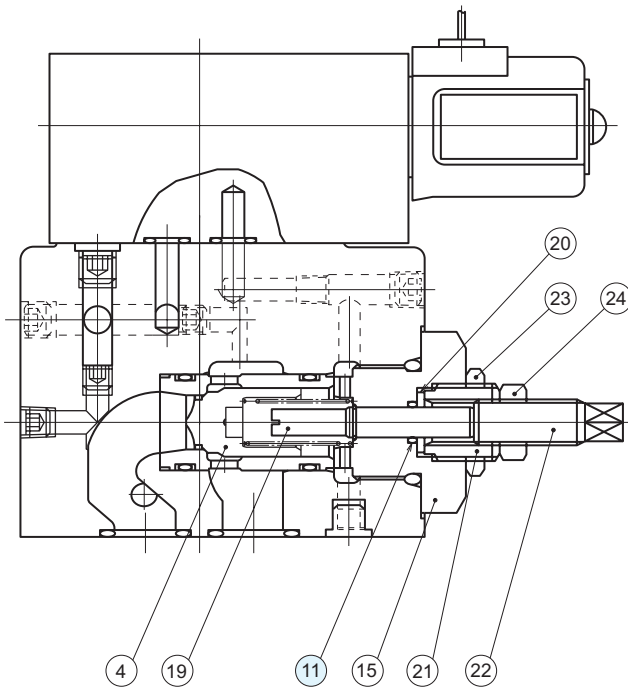
For latest information, PDF catalogs and operation manuals

Sectional structural diagram

● C2SL-G03, 06



● C2SLT-G03, 06



Sealing part table

Part No.	Name	C2SL (T) -G03		C2SL (T) -G06	
		Quantity	Part specifications	Quantity	Part specifications
6	O-ring	4	JIS B 2401 1B P9	4	JIS B 2401 1B P9
7	O-ring	2	AS568-020 (NBR, Hs90)	2	AS568-122 (NBR, Hs90)
8	O-ring	1	AS568-215 (NBR, Hs90)	1	AS568-222 (NBR, Hs90)
9	O-ring	2	JIS B 2401 1B P20	2	JIS B 2401 1B P28
10	O-ring	2	JIS B 2401 1B P12	2	JIS B 2401 1B P12
11	O-ring	1	AS568-011 (NBR, Hs90)	5	AS568-011 (NBR, Hs90)
12	Backup ring	4	Bias cut for AS568-020	4	Bias cut for AS568-122