

Contact Details

Before using the product, please check the guide pages at the front of this catalog.

Internet

<https://www.daikinpmc.com/en/>

For latest information, PDF catalogs and operation manuals

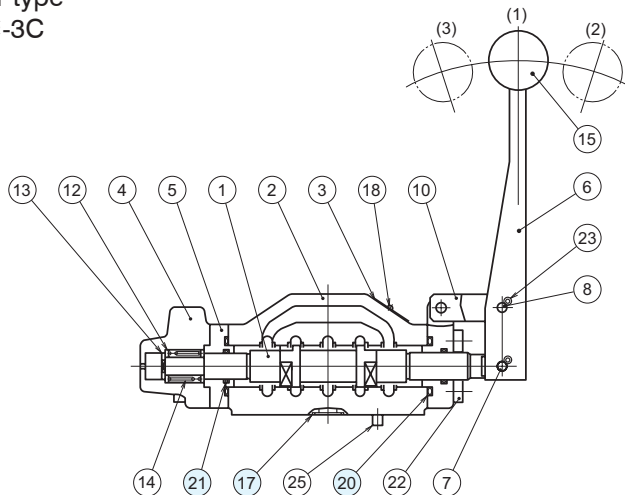
Handling

- Tighten the piping for the screw connection type with the tightening torque given in the table to the right.

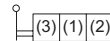
Model code	Tightening torque N·m {kgf·cm}
DMO4-×T03	70 to 80 {700 to 800}
DMO4-×T06	90 to 110 {900 to 1100}

Sectional structural diagram

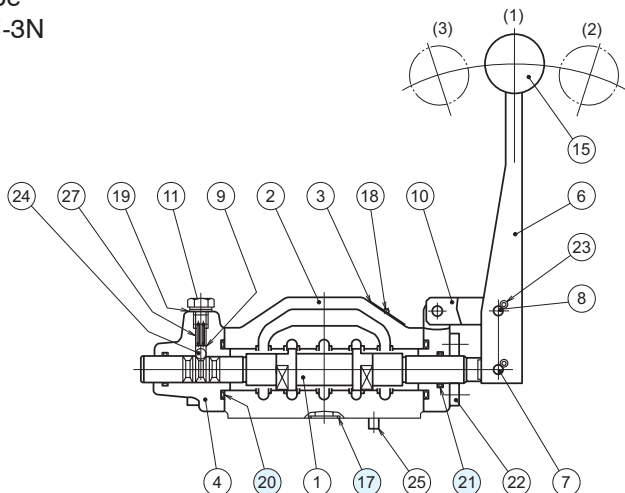
- Spring center type
DMO4-3G××-3C



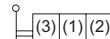
The relationship between the lever position and JIS codes is as follows.



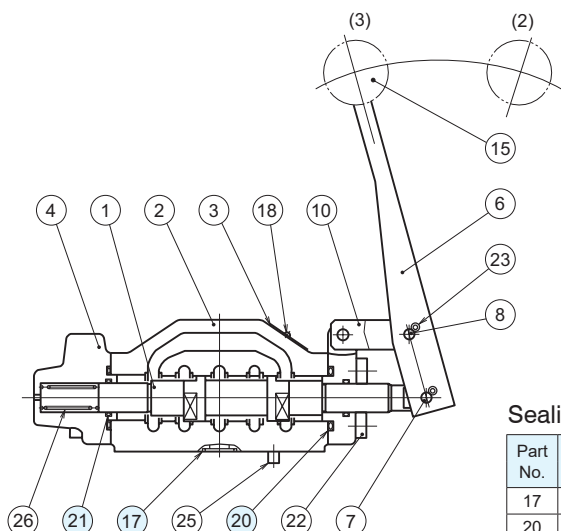
- No-spring type
DMO4-3G××-3N



The relationship between the lever position and JIS codes is as follows.



- Spring offset type
DMO4-2G××-3B



The relationship between the lever position and JIS codes is as follows.



Sealing part table

Part No.	Name	Quantity	Part specifications	
			DMO4-× G03	DMO4-× G06
17	O-ring	4	JIS B2401 1A P15	JIS B2401 1A 22A
20	O-ring	2	JIS B2401 1A G30	JIS B2401 1A G35
21	O-ring	2	AS568-114 (NBR, Hs70)	AS568-116 (NBR, Hs70)