

## Contact Details

Before using the product, please check the guide pages at the front of this catalog.

Internet

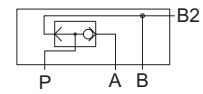
<https://www.daikinpmc.com/en/>

For latest information, PDF catalogs and operation manuals

# Shuttle Valve (Gasket Mount Type)



JIS graphic symbols for hydraulic system



## Features

- These valves are used to open a line from the inlet port with the higher pressure of the two ports to the outlet port.

## Nomenclature

※ - WS - 02 - 10 - ※ ※

1                      2                      3                      4                      5

### 1 Applicable fluid code

No designation: Petroleum-based hydraulic fluid, water-glycol hydraulic fluid

F: Phosphate ester hydraulic fluid

### 2 Model No.

WS: Type WS shuttle valve

### 3 Nominal diameter

02: 1/4

### 4 Design No. (The design No. is subject to change)

### 5 Control No.

60: Port B2 (auxiliary connection port), Rc1/4

83: Port B2 (auxiliary connection port), G1/4 O-ring boss

## Specifications

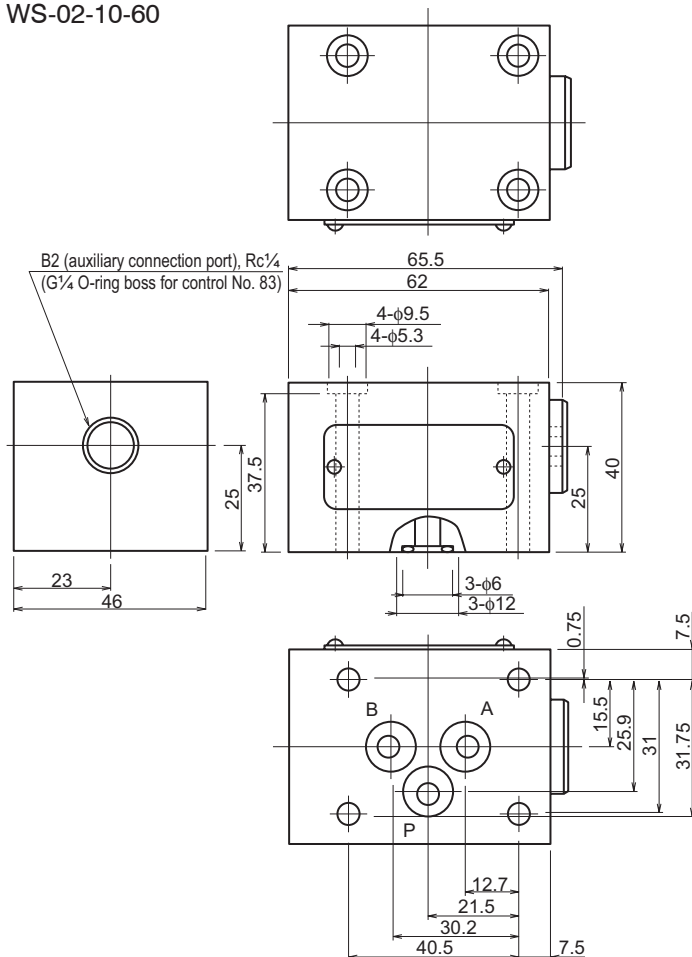
Model code	Nominal diameter	Maximum operating pressure MPa (kgf/cm <sup>2</sup> )	Maximum flow rate L/min	Mass kg	Installation dimensions
WS-02-10-60	1/4	25 {250}	30	0.9	ISO 4401-AB-03-4-A
WS-02-10-83					

## Handling

- Connect the two selective lines to the inlet ports A and B.
- Plug port B2 if it is not used.

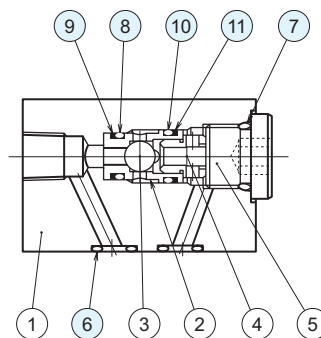
## External dimension diagram

WS-02-10-60



## Sectional structural diagram

WS-02-10-60



## Sealing part table

Part No.	Name	Quantity	Part specifications
6	O-ring	3	JIS B 2401 1B P9
7	O-ring	1	JIS B 2401 1B P14
8	O-ring	1	AS568-012 (NBR, Hs90)
9	Backup ring	1	Bias cut for AS568-012
10	O-ring	1	AS568-013 (NBR, Hs90)
11	Backup ring	1	Bias cut for AS568-013