

## Contact Details

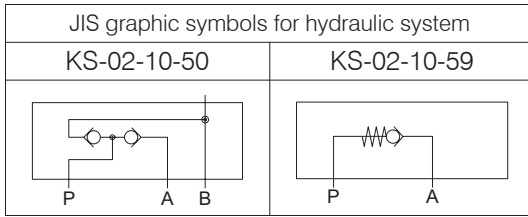
Before using the product, please check the guide pages at the front of this catalog.

Internet

<https://www.daikinpmc.com/en/>

For latest information, PDF catalogs and operation manuals

# Check Valve Block



## Nomenclature

※ - **KS** - **02** - **10** - ※ ※

1      2      3      4      5

### 1 Applicable fluid code

No designation: Petroleum-based hydraulic fluid, water-glycol hydraulic fluid

F: Phosphate ester hydraulic fluid

### 2 Model No.

KS: Type KS check valve

### 3 Nominal diameter

02: ¼

### 4 Design No. (The design No. is subject to change)

### 5 Control No.

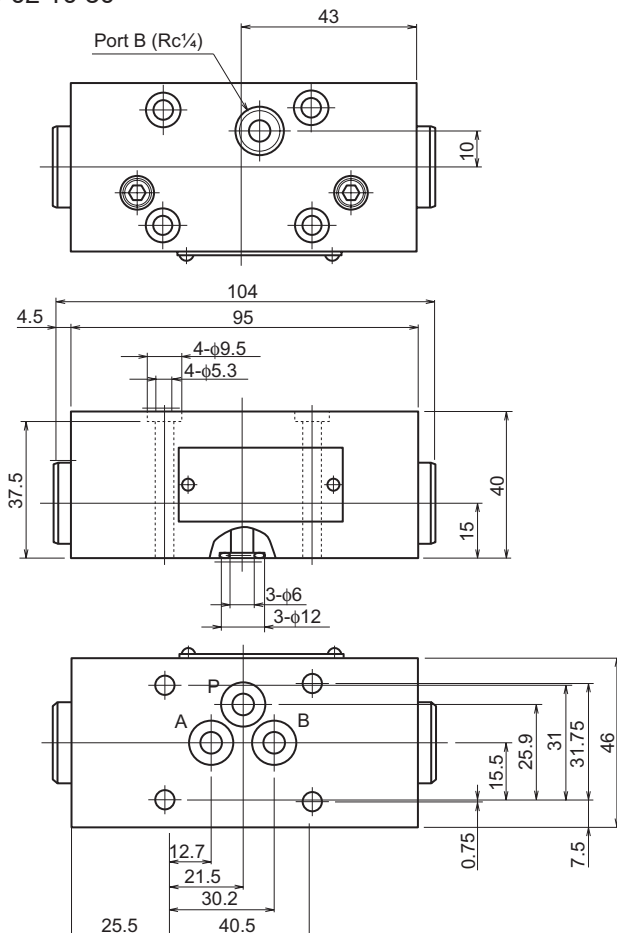
50: } See the JIS graphic symbols for hydraulic system  
59: } for details.

## Specifications

Model code	Nominal diameter	Maximum operating pressure MPa {kgf/cm <sup>2</sup> }	Maximum flow rate L/min	Cracking pressure MPa {kgf/cm <sup>2</sup> }	Mass kg	Installation dimensions
KS-02-10-50	¼	25 {250}	30	0.05 {0.5}	1.3	ISO 4401-AB-03-4-A
KS-02-10-59						

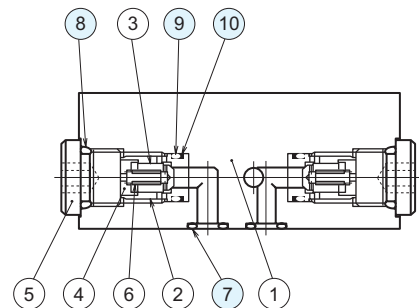
## External dimension diagram

KS-02-10-50



## Sectional structural diagram

KS-02-10-50



## Sealing part table

Part No.	Name	Quantity	Part specifications
7	O-ring	3	JIS B 2401 1B P9
8	O-ring	2	JIS B 2401 1B P14
9	O-ring	2	AS568-013 (NBR, Hs90)
10	Backup ring	2	Bias cut for AS568-013

## Contact Details

Before using the product, please check the guide pages at the front of this catalog.

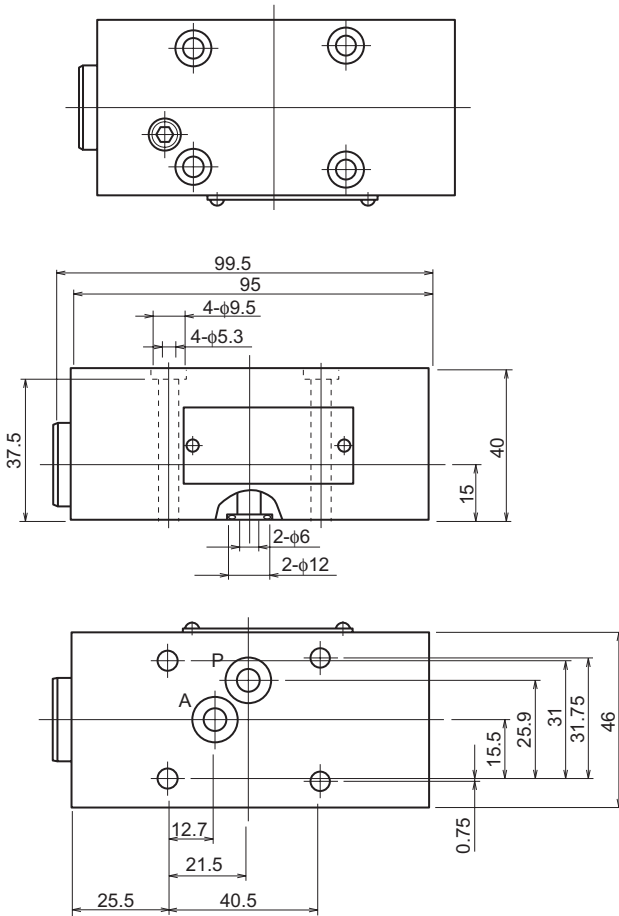
Internet

<https://www.daikinpmc.com/en/>

For latest information, PDF catalogs and operation manuals

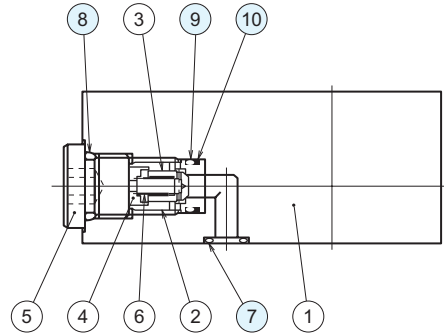
## External dimension diagram

KS-02-10-59



## Sectional structural diagram

KS-02-10-59



Sealing part table

Part No.	Name	Quantity	Part specifications
7	O-ring	2	JIS B 2401 1B P9
8	O-ring	1	JIS B 2401 1B P14
9	O-ring	1	AS568-013 (NBR, Hs90)
10	Backup ring	1	Bias cut for AS568-013