

Contact Details

Before using the product, please check the guide pages at the front of this catalog.

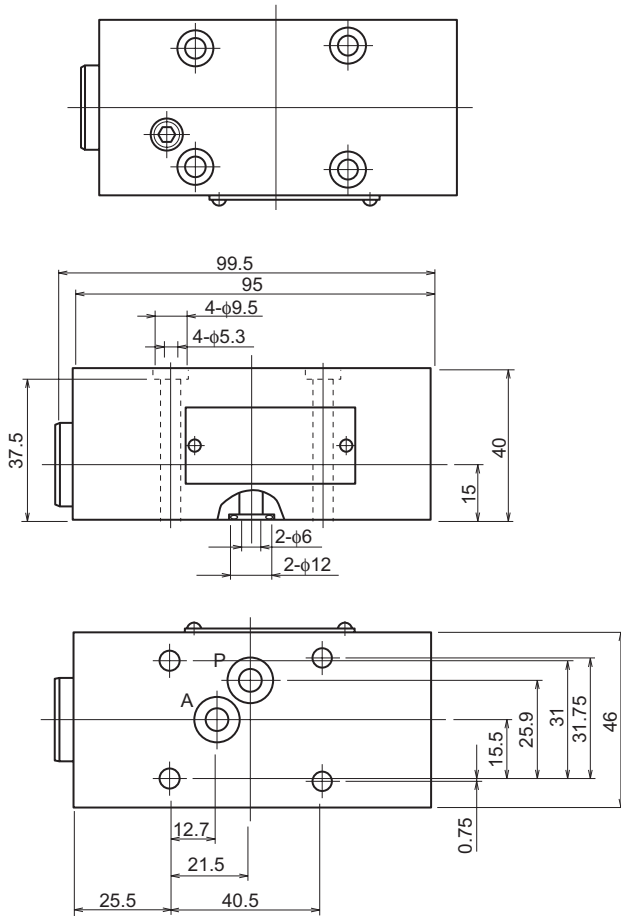
Internet

<https://www.daikinpmc.com/en/>

For latest information, PDF catalogs and operation manuals

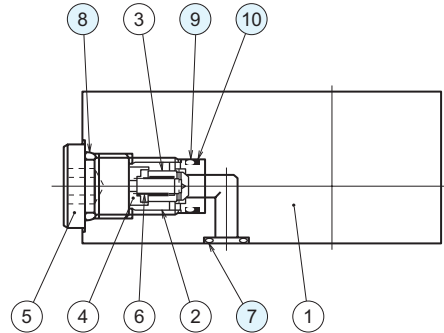
External dimension diagram

KS-02-10-59



Sectional structural diagram

KS-02-10-59



Sealing part table

Part No.	Name	Quantity	Part specifications
7	O-ring	2	JIS B 2401 1B P9
8	O-ring	1	JIS B 2401 1B P14
9	O-ring	1	AS568-013 (NBR, Hs90)
10	Backup ring	1	Bias cut for AS568-013