

Contact Details

Before using the product, please check the guide pages at the front of this catalog.

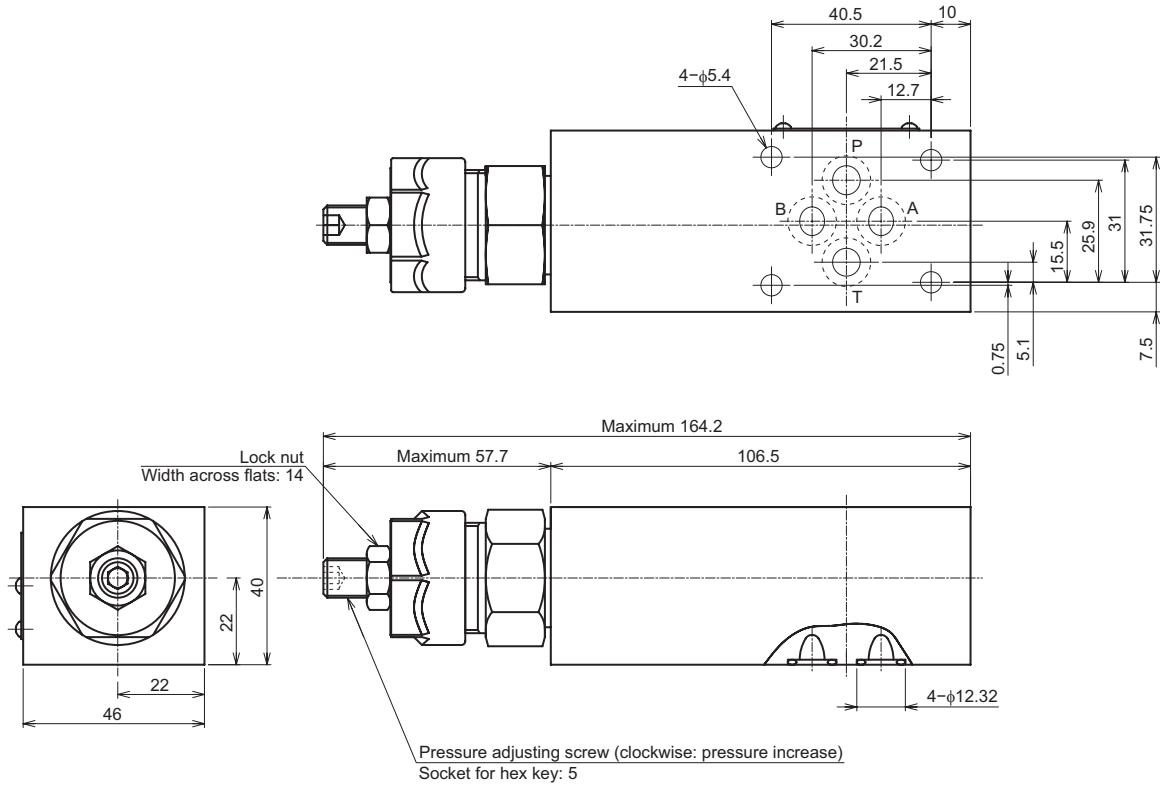
Internet

<https://www.daikinpmc.com/en/>

For latest information, PDF catalogs and operation manuals

External dimension diagram

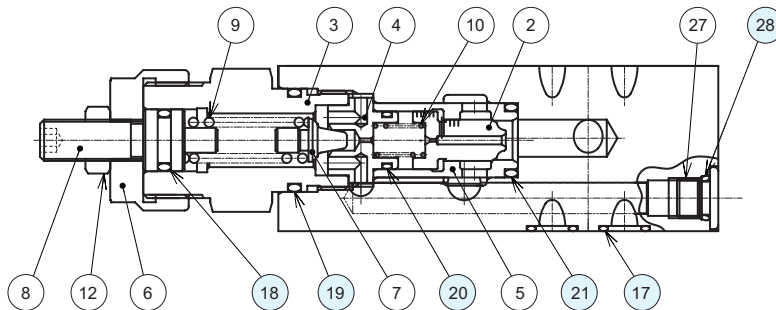
MR-02※-※-55



For products with option code G, the pressure adjusting screw is located at the port A side.

Sectional structural diagram

MR-02※-※-55



Sealing part table

Part No.	Name	Quantity	Part specifications
17	O-ring	4	AS568-012 (NBR, Hs90)
18	O-ring	1	JIS B2401 1B P11
19	O-ring	1	JIS B2401 1A P21
21	O-ring	1	JIS B2401 1B P14
20	O-ring	1	AS568-013 (NBR, Hs90)
28	O-ring	1	JIS B2401 1B P8

Contact Details

Before using the product, please check the guide pages at the front of this catalog.

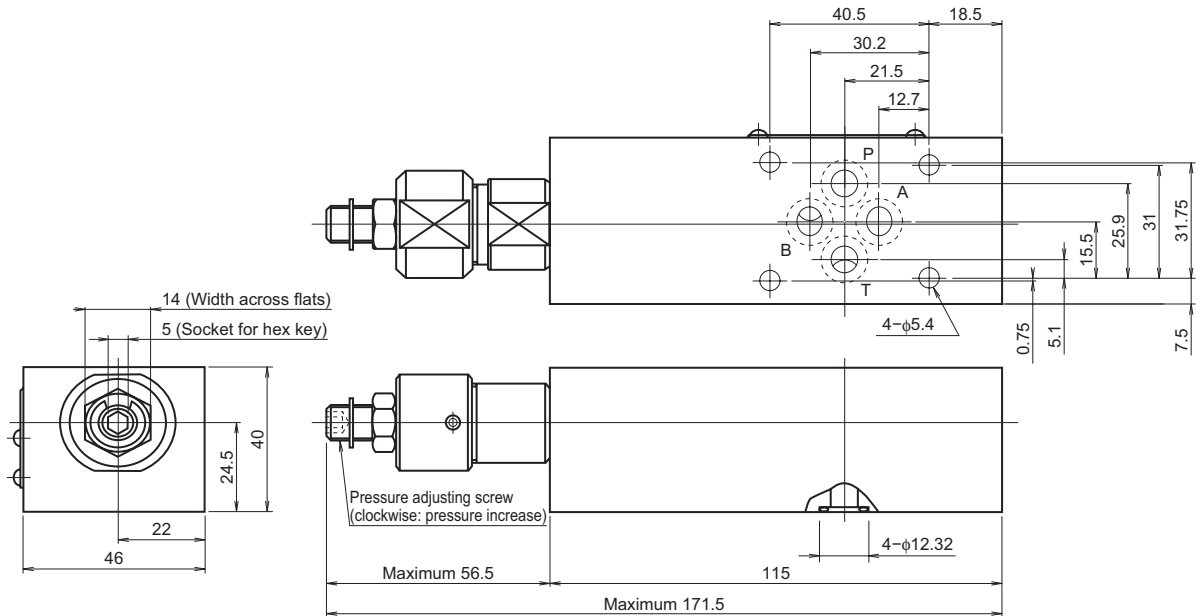
Internet

<https://www.daikinpmc.com/en/>

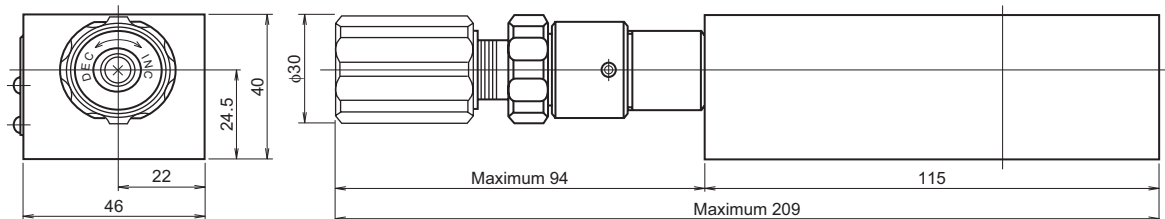
For latest information, PDF catalogs and operation manuals

External dimension diagram

MR-02*-*-60

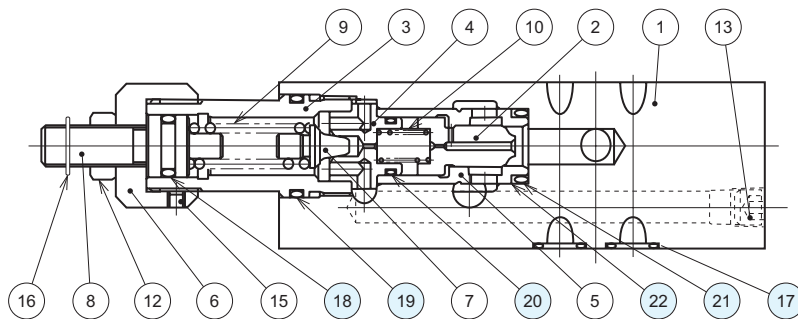


MR-02*-*-60-T



Sectional structural diagram

MR-02*-*-60



Sealing part table

Part No.	Name	Quantity	Part specifications
17	O-ring	4	AS568-012 (NBR, Hs90)
18	O-ring	1	JIS B 2401 1A P11
19	O-ring	1	JIS B 2401 1A P21
20	O-ring	1	AS568-013 (NBR, Hs90)
21	O-ring	1	JIS B 2401 1B P14
22	Backup ring	1	JIS B 2407 Bias cut P14