

Contact Details

Before using the product, please check the guide pages at the front of this catalog.

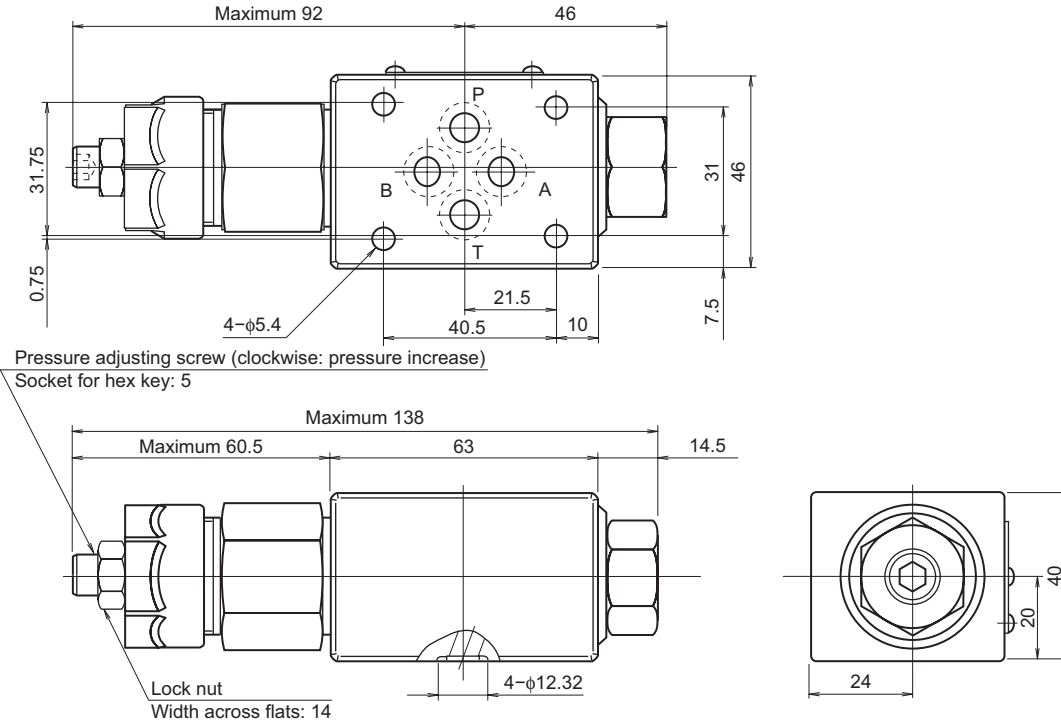
Internet

<https://www.daikinpmc.com/en/>

For latest information, PDF catalogs and operation manuals

External dimension diagram

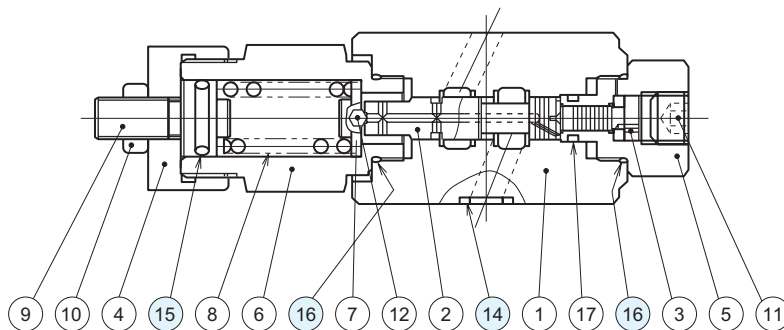
MQ-02P



For products with option code G, the pressure adjusting screw is located at the port A side.

Sectional structural diagram

MQ-02P



Sealing part table

Part No.	Name	Quantity	Part specifications
14	O-ring	4	AS568-012 (NBR, Hs90)
15	O-ring	1	JIS B 2401 1A P14
16	O-ring	2	AS568-017 (NBR, Hs90)
17	O-ring	1	JIS B 2401 1B P8