

## Contact Details

Before using the product, please check the guide pages at the front of this catalog.

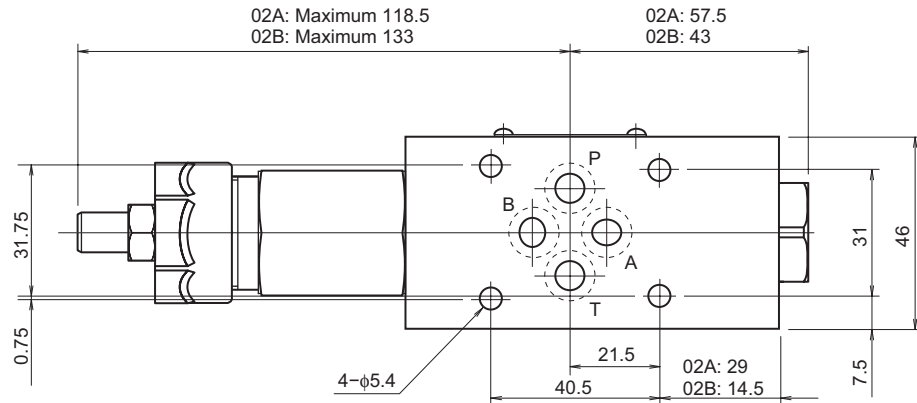
Internet

<https://www.daikinpmc.com/en/>

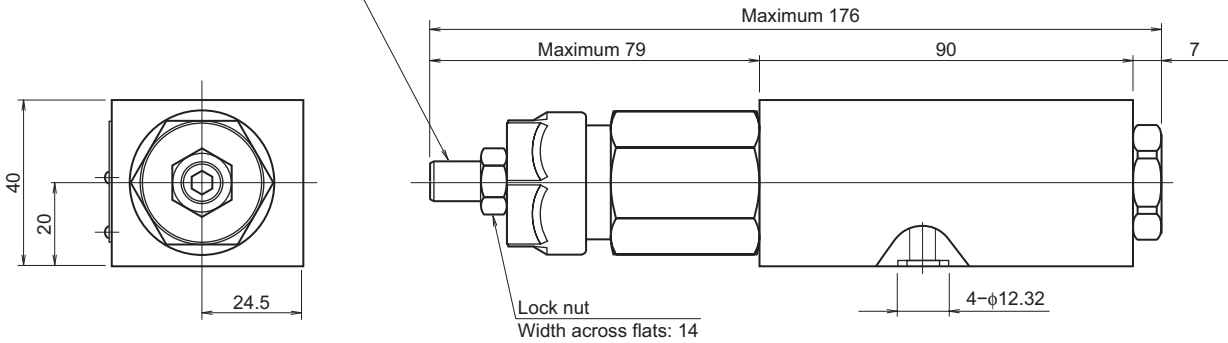
For latest information, PDF catalogs and operation manuals

## External dimension diagram

MQC-02A, B



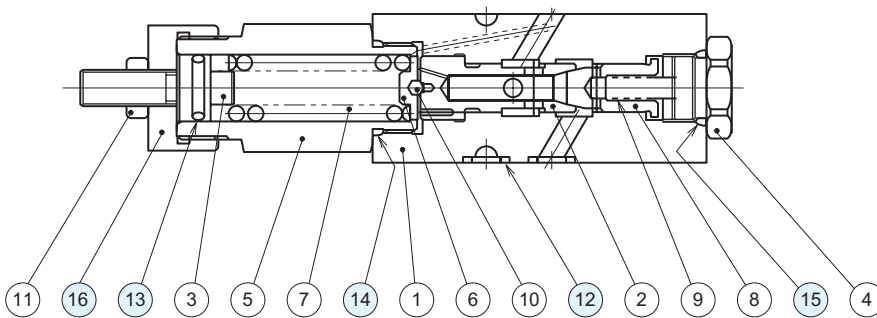
Pressure adjusting screw (clockwise: pressure increase)  
Socket for hex key: 5



For products with option code G, the pressure adjusting screw is located at the port A side.

## Sectional structural diagram

MQC-02A, B



Sealing part table

Part No.	Name	Quantity	Part specifications
12	O-ring	4	AS568-012 (NBR, Hs90)
13	O-ring	1	JIS B 2401 1B P14
14	O-ring	1	JIS B 2401 1B P22
15	O-ring	1	JIS B 2401 1B P16