

Contact Details

Before using the product, please check the guide pages at the front of this catalog.

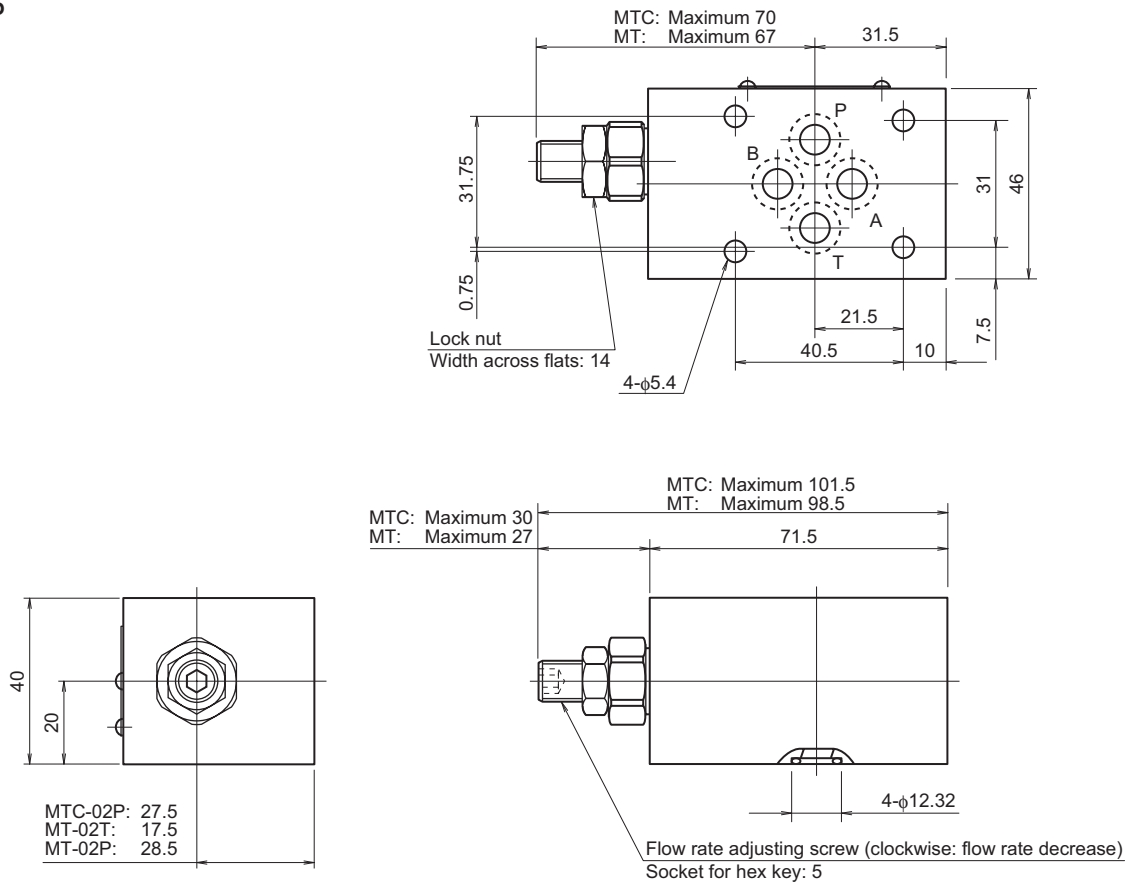
Internet

<https://www.daikinpmc.com/en/>

For latest information, PDF catalogs and operation manuals

External dimension diagram

MT-02P, T
MTC-02P

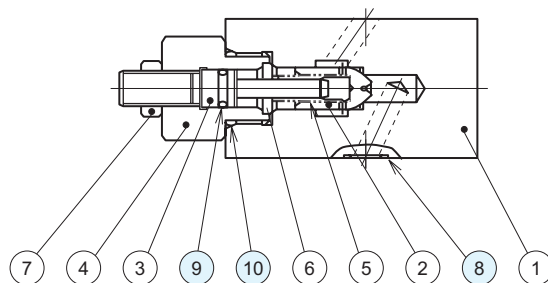
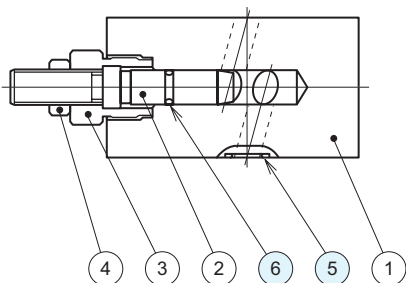


For products with option code G, the pressure adjusting screw is located at the port A side.

Sectional structural diagram

MT-02P-65
MT-02T-65

MTC-02P-55



Sealing part table

Part No.	Name	Quantity	Part specifications
5	O-ring	4	AS568-012 (NBR, Hs90)
6	O-ring	1	JIS B 2401 1B P7

Sealing part table

Part No.	Name	Quantity	Part specifications
8	O-ring	4	AS568-012 (NBR, Hs90)
9	O-ring	1	JIS B 2401 1B P8
10	O-ring	1	JIS B 2401 1B P18