

Contact Details

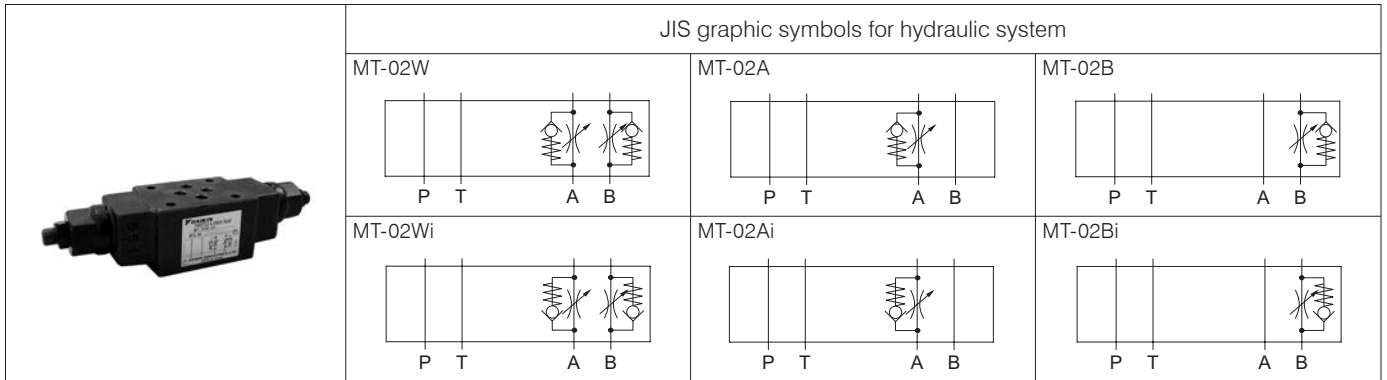
Before using the product, please check the guide pages at the front of this catalog.

Internet

<https://www.daikinpmc.com/en/>

For latest information, PDF catalogs and operation manuals

02 Series Stacking Type Port A/B Throttle Valves



Nomenclature

※ - MT - 02 ※ ※ - ※※ - ※
 1 2 3 4 5 6 7

1 Applicable fluid code

No designation: Petroleum-based hydraulic fluid, water-glycol hydraulic fluid
 F: Phosphate ester hydraulic fluid

2 Model No.

MT: Modular stacking type throttle valve

3 Nominal diameter

02: ¼

4 Control port

W: Port A/B
 A: Port A
 B: Port B

5 Control method

No designation: Meter-out control
 i: Meter-in control

※ - MT - 02 ※ ※ - 55 - ※※
 1 2 3 4 5 6 8

6 Design No. (The design No. is subject to change)

55: 25 MPa {250 kgf/cm²} series
 60: 35 MPa {350 kgf/cm²} series

7 Option code *1

No designation: Flow rate adjusting screw type
 T: Flow rate adjusting handle type (applicable only to design No. 55)

8 Control No. <Low quantity range control type> *1

32: Control flow rate 14 L/min (at differential pressure of 2 MPa {20 kgf/cm²})
 33: Control flow rate 20 L/min (at differential pressure of 2 MPa {20 kgf/cm²})

Note: *1 Option code "T" cannot be combined with control No. "32" or "33".

Specifications

Model code	Maximum operating pressure MPa {kgf/cm ² }	Maximum flow rate L/min	Check valve cracking pressure MPa {kgf/cm ² }	Mass kg
MT-02W※-55	25 {250}	40 *2	0.08 {0.8}	1.3
MT-02A(B)※-55				1.0
MT-02W※-55-32				1.4
MT-02A(B)※-55-32				1.1
MT-02W※-55-33				1.4
MT-02A(B)※-55-33				1.1
MT-02W※-60	35 {350}			1.4
MT-02A(B)※-60				1.2

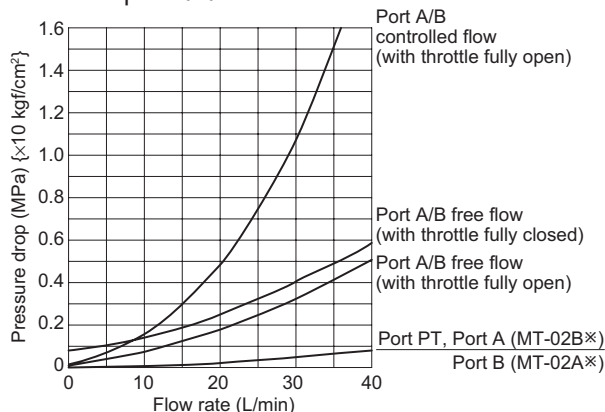
Handling

- The flow rate will not be zero even when the flow rate adjusting screw is fully tightened.

Note: *2 Control No. 32: Control flow rate 14 L/min (at differential pressure of 2 MPa {20 kgf/cm²})
 33: Control flow rate 20 L/min (at differential pressure of 2 MPa {20 kgf/cm²})

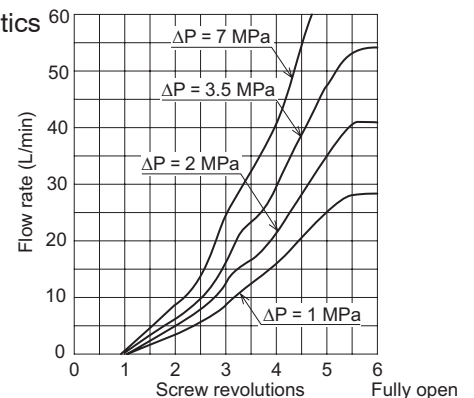
Performance curves (viscosity: 32 mm²/s {cSt})

Pressure drop characteristics



Flow rate adjusting screw revolution -

Flow rate characteristics



Contact Details

Before using the product, please check the guide pages at the front of this catalog.

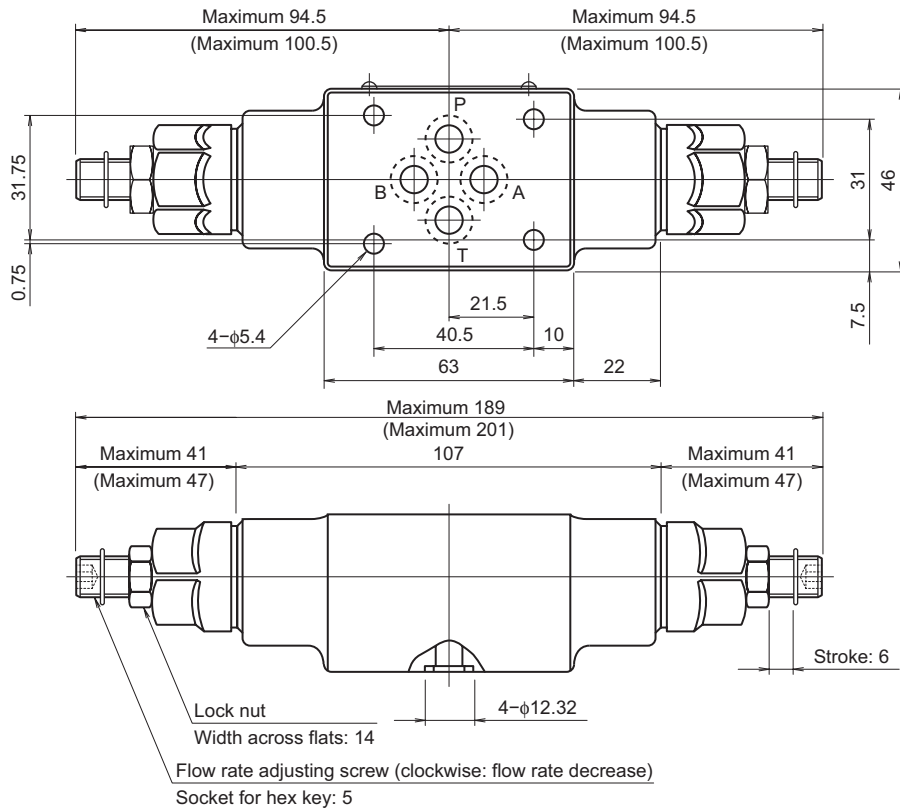
Internet

<https://www.daikinpmc.com/en/>

For latest information, PDF catalogs and operation manuals

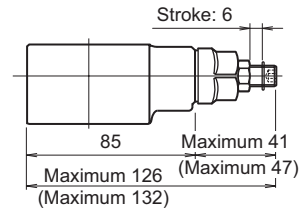
External dimension diagram

MT-02W-55

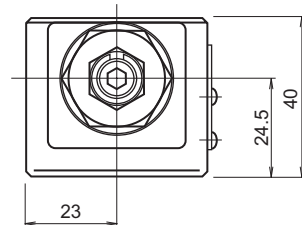
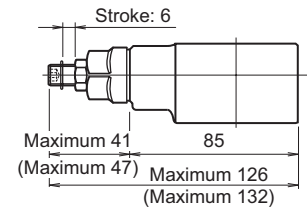


Dimensions in parentheses are for control Nos. "32" and "33".

MT-02A-55

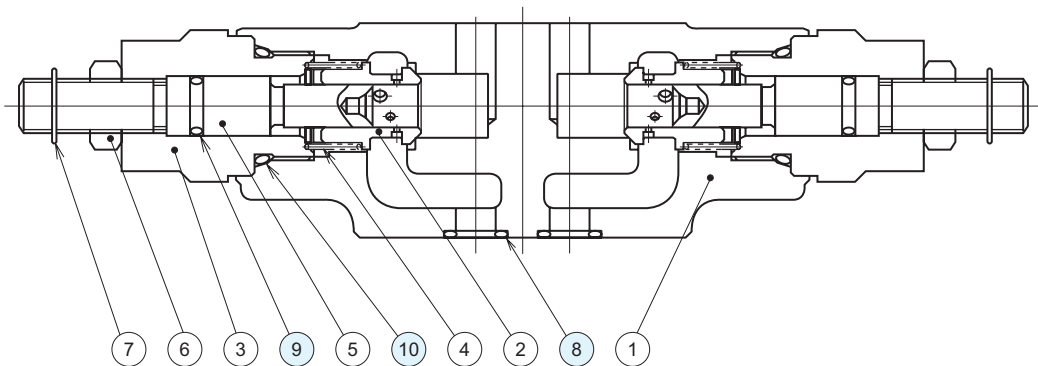


MT-02B-55



Sectional structural diagram

MT-02W-55



Sealing part table

Part No.	Name	Quantity		Part specifications
		MT-02W	MT-02A, B	
8	O-ring	4	4	AS568-012 (NBR, Hs90)
9	O-ring	2	1	JIS B 2401 1B P8
10	O-ring	2	1	JIS B 2401 1B P18

Contact Details

Before using the product, please check the guide pages at the front of this catalog.

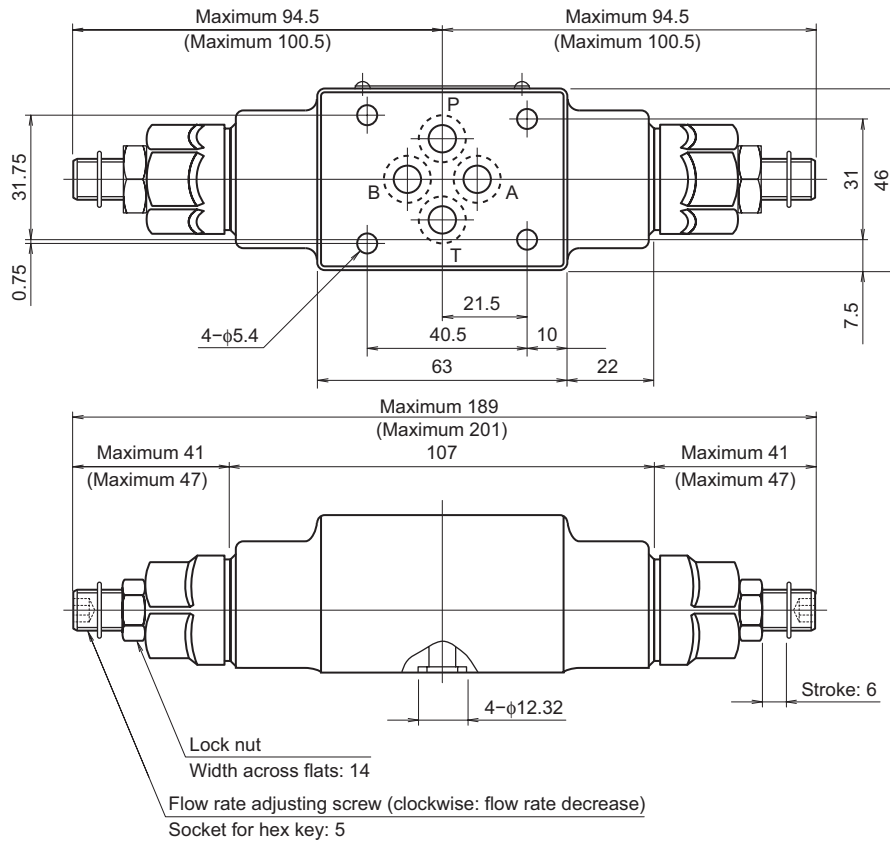
Internet

<https://www.daikinpmc.com/en/>

For latest information, PDF catalogs and operation manuals

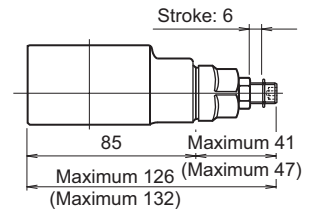
External dimension diagram

MT-02Wi-55

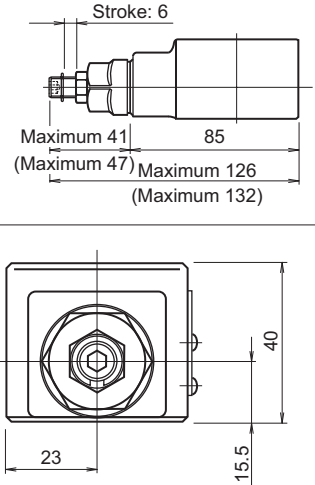


Dimensions in parentheses are for control Nos. "32" and "33".

MT-02Ai-55



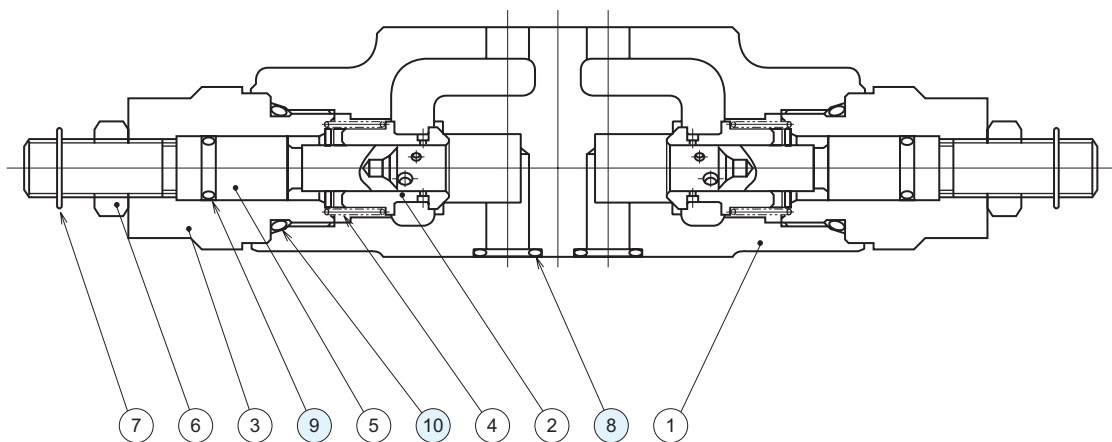
MT-02Bi-55



MODULAR STACK VALVES

Sectional structural diagram

MT-02Wi-55



Sealing part table

Part No.	Name	Quantity		Part specifications
		MT-02Wi	MT-02Ai, Bi	
8	O-ring	4	4	AS568-012 (NBR, Hs90)
9	O-ring	2	1	JIS B 2401 1B P8
10	O-ring	2	1	JIS B 2401 1B P18

Contact Details

Before using the product, please check the guide pages at the front of this catalog.

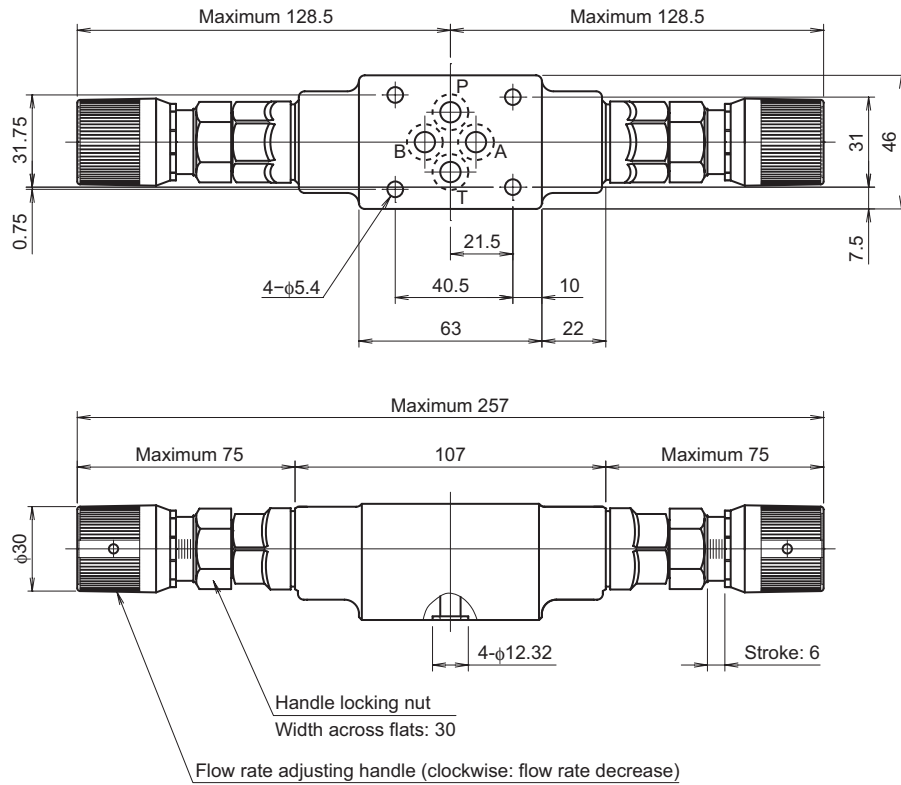
Internet

<https://www.daikinpmc.com/en/>

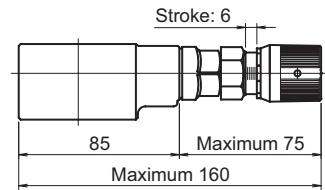
For latest information, PDF catalogs and operation manuals

External dimension diagram

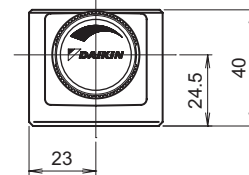
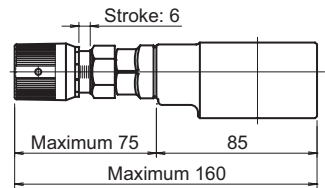
MT-02W-55-T



MT-02A-55-T

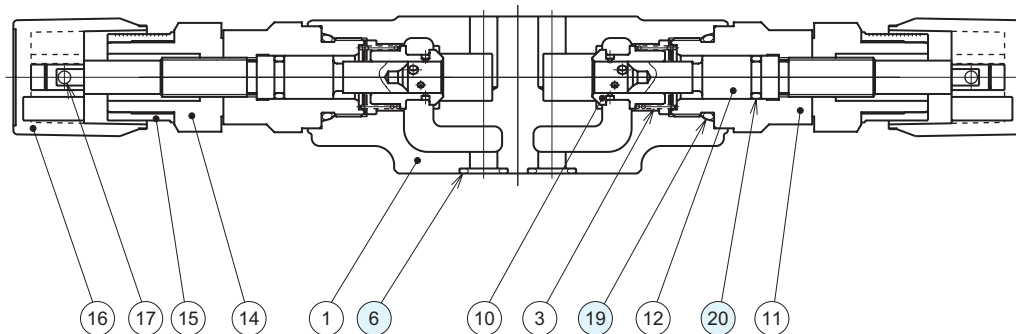


MT-02B-55-T



Sectional structural diagram

MT-02W-55-T



Sealing part table

Part No.	Name	Quantity		Part specifications
		MT-02W	MT-02A, B	
6	O-ring	4	4	AS568-012 (NBR, Hs90)
19	O-ring	2	1	JIS B 2401 1B P18
20	O-ring	2	1	JIS B 2401 1B P8

Contact Details

Before using the product, please check the guide pages at the front of this catalog.

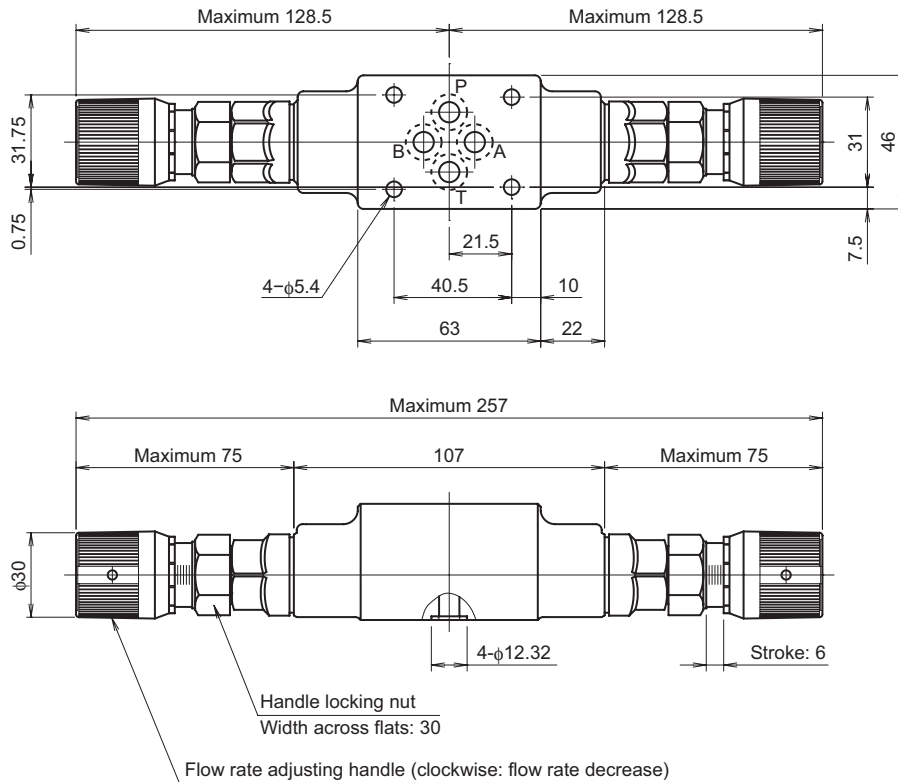
Internet

<https://www.daikinpmc.com/en/>

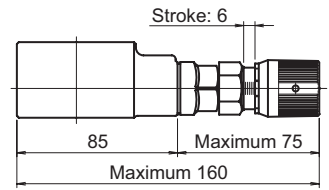
For latest information, PDF catalogs and operation manuals

External dimension diagram

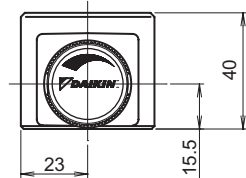
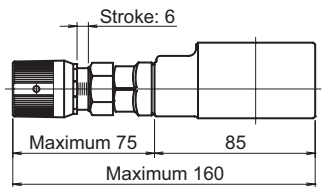
MT-02Wi-55-T



MT-02Ai-55-T



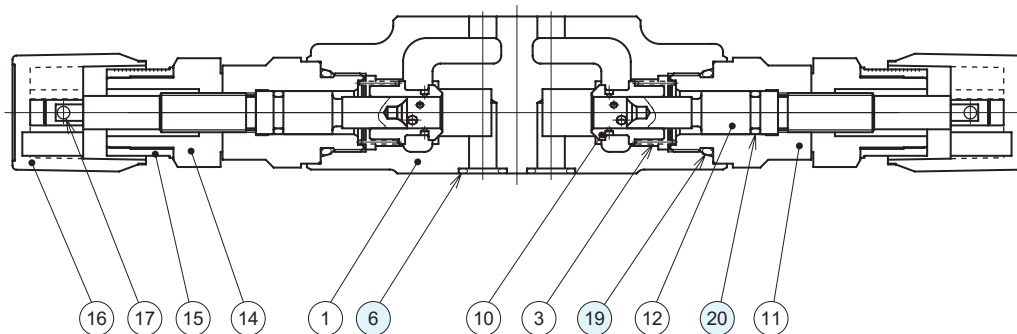
MT-02Bi-55-T



I
MODULAR STACK VALVES

Sectional structural diagram

MT-02Wi-55-T



Sealing part table

Part No.	Name	Quantity		Part specifications
		MT-02WI	MT-02AI, BI	
6	O-ring	4	4	AS568-012 (NBR, Hs90)
19	O-ring	2	1	JIS B 2401 1B P18
20	O-ring	2	1	JIS B 2401 1B P8

Contact Details

Before using the product, please check the guide pages at the front of this catalog.

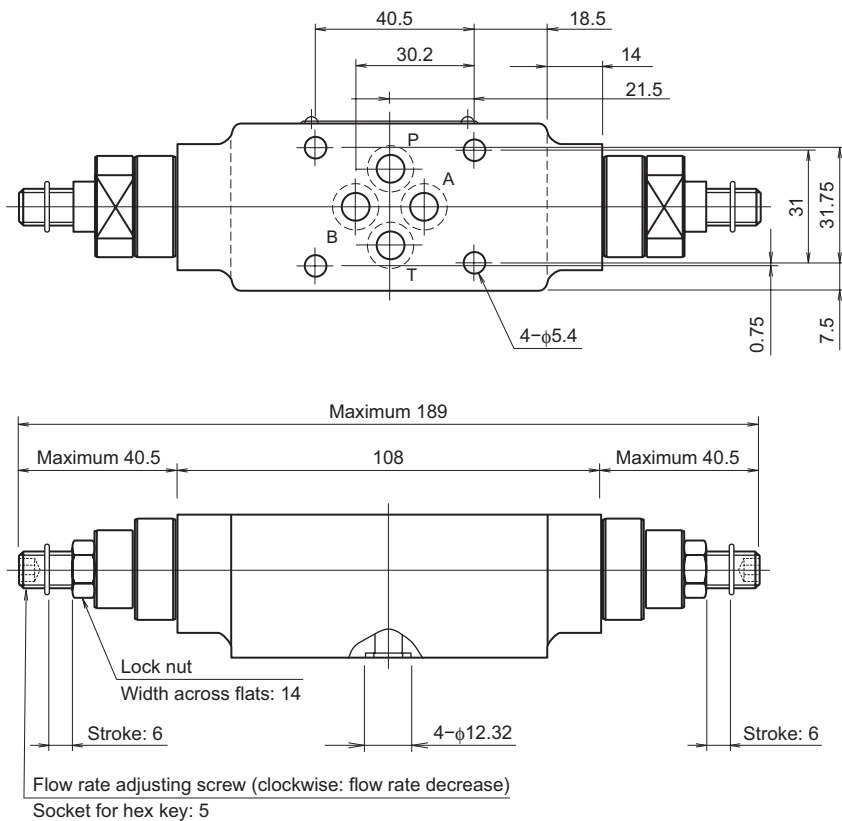
Internet

<https://www.daikinpmc.com/en/>

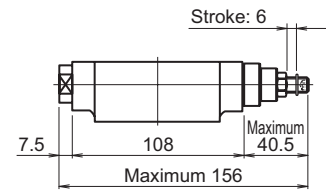
For latest information, PDF catalogs and operation manuals

External dimension diagram

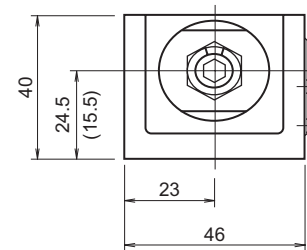
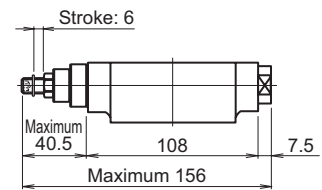
MT-02W(i)-60



MT-02A(i)-60



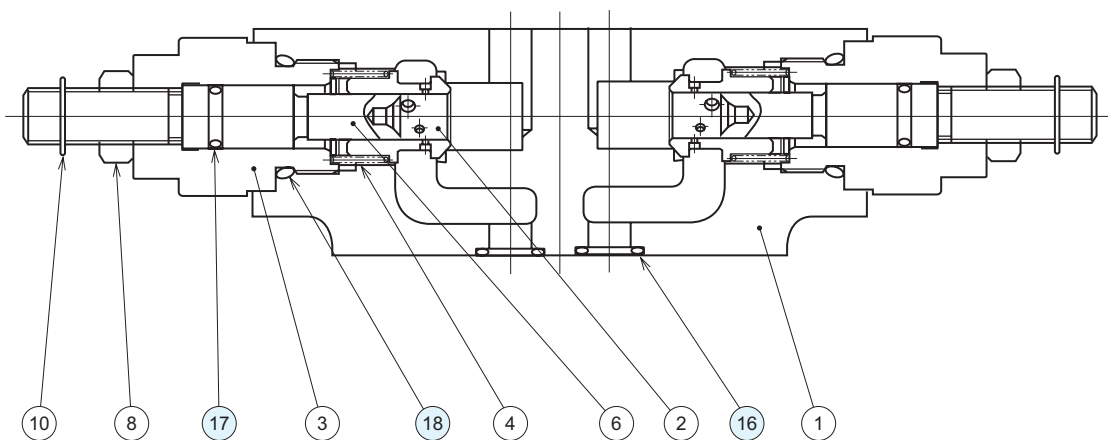
MT-02B(i)-60



Dimensions in parentheses are for meter-in control.

Sectional structural diagram

MT-02W(i)-60



Sealing part table

Part No.	Name	Quantity		Part specifications
		MT-02W(i)	MT-02A(i), B(i)	
16	O-ring	4	4	AS568-012 (NBR, Hs90)
17	O-ring	2	1	JIS B 2401 1B P8
18	O-ring	2	1	JIS B 2401 1B P18