

Contact Details

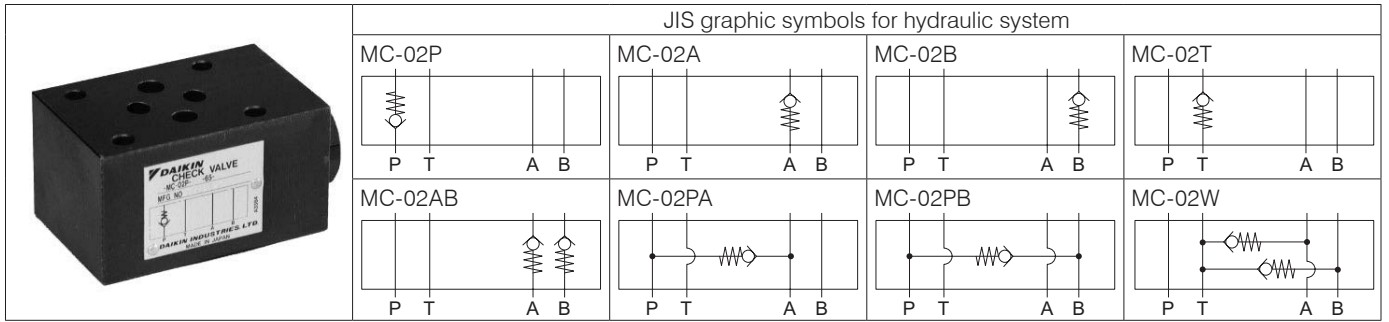
Before using the product, please check the guide pages at the front of this catalog.

Internet

<https://www.daikinpmc.com/en/>

For latest information, PDF catalogs and operation manuals

02 Series Stacking Type Check Valves



Nomenclature

✖	-	MC	-	02	✖✖	-	✖✖	-	✖✖
1		2		3	4		5		6
1 Applicable fluid code					5 Cracking pressure code				
No designation: Petroleum-based hydraulic fluid, water-glycol hydraulic fluid					No designation: 0.015 MPa {0.15 kgf/cm ² }				
F: Phosphate ester hydraulic fluid					(Applicable only to MC-02W)				
2 Model No.					05: 0.05 MPa {0.5 kgf/cm ² }				
MC: Modular stacking type check valve					50: 0.5 MPa {5 kgf/cm ² }				
3 Nominal diameter					6 Design No. (The design No. is subject to change)				
02: ¼					55: 25 MPa {250 kgf/cm ² } series				
4 Control port					65: 35 MPa {350 kgf/cm ² } series				
○ Design No. 55									
AB: Port A/B W: Port A/B (vacuum check valve)									
○ Design No. 65									
P: Port P A: Port A B: Port B									
T: Port T PA: Port A → P PB: Port B → P									

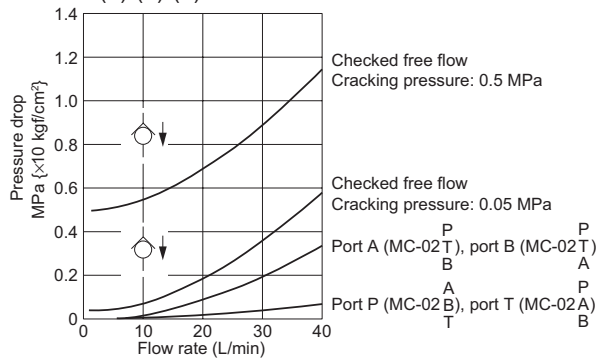
Specifications

Model code	Maximum operating pressure MPa {kgf/cm ² }	Maximum flow rate L/min	Cracking pressure MPa {kgf/cm ² }	Mass kg	Model code	Maximum operating pressure MPa {kgf/cm ² }	Maximum flow rate L/min	Cracking pressure MPa {kgf/cm ² }	Mass kg
MC-02AB-05-55	25 {250}	40	0.05 {0.5}	1.1	MC-02✖✖-05-65	35 {350}	40	0.05 {0.5}	0.9
MC-02AB-50-55			0.5 {5}		MC-02✖✖-50-65			0.5 {5}	
MC-02W-55			0.015 {0.15}						

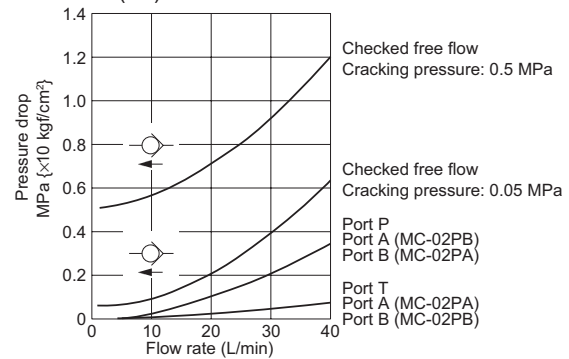
Performance curves (viscosity: 32 mm²/s {cSt})

Pressure drop characteristics

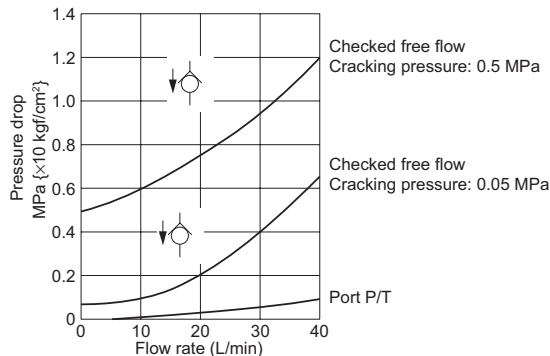
MC-02P (A) (B) (T)



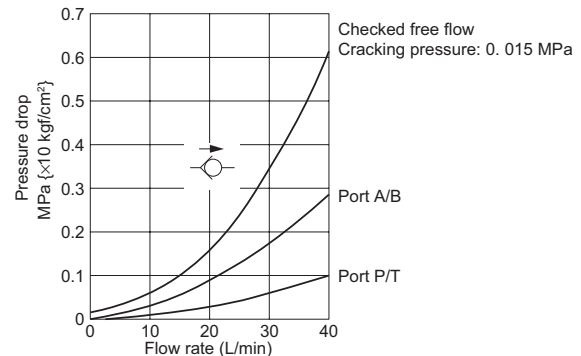
MC-02PA (PB)



MC-02AB



MC-02W



Contact Details

Before using the product, please check the guide pages at the front of this catalog.

Internet

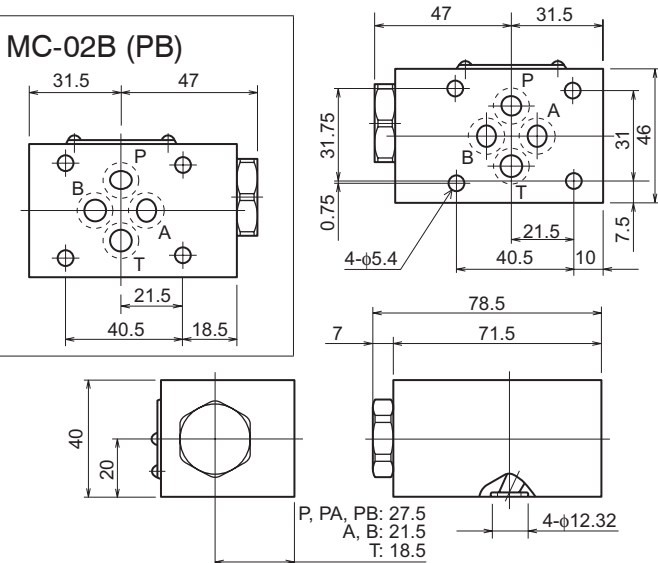
<https://www.daikinpmc.com/en/>

For latest information, PDF catalogs and operation manuals

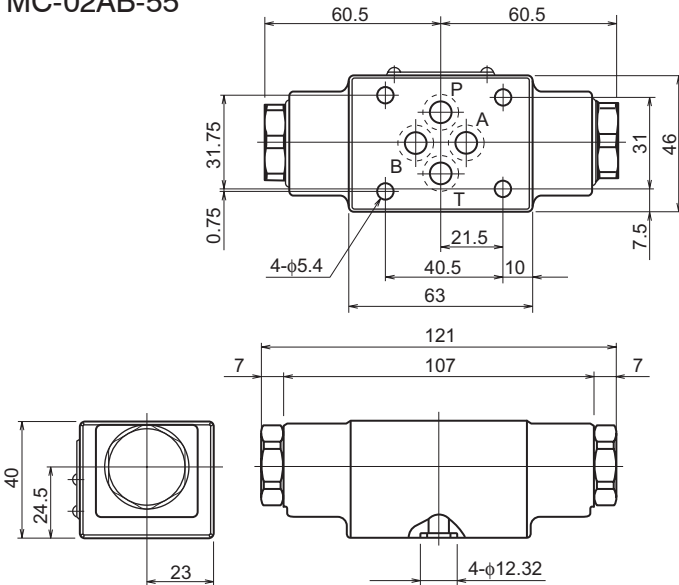
External dimension diagram

MC-02P (A) (T) (PA) -65

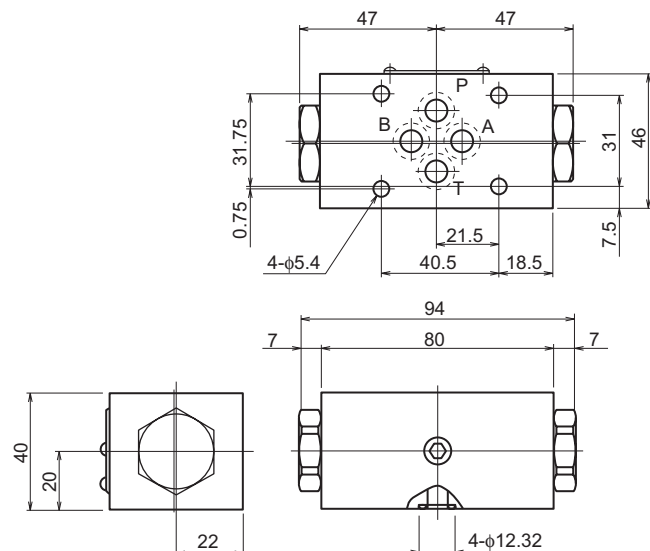
MC-02B (PB)



MC-02AB-55

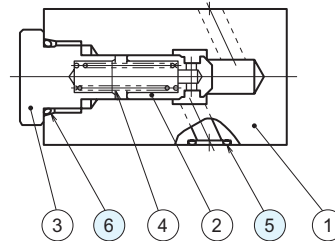


MC-02W-55



Sectional structural diagram

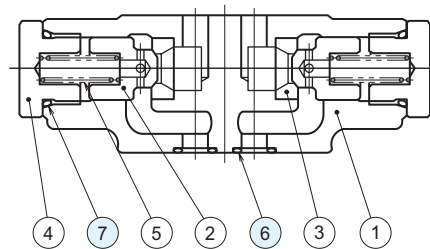
MC-02P (A) (B) (T) (PA) (PB)-65



Sealing part table

Part No.	Name	Quantity	Part specifications
5	O-ring	4	AS568-012 (NBR, Hs90)
6	O-ring	1	JIS B 2401 1B P16

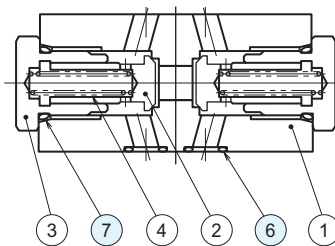
MC-02AB-55



Sealing part table

Part No.	Name	Quantity	Part specifications
6	O-ring	4	AS568-012 (NBR, Hs90)
7	O-ring	2	JIS B 2401 1B P18

MC-02W-55



Sealing part table

Part No.	Name	Quantity	Part specifications
6	O-ring	4	AS568-012 (NBR, Hs90)
7	O-ring	2	JIS B 2401 1B P18