

## Contact Details

Before using the product, please check the guide pages at the front of this catalog.

Internet

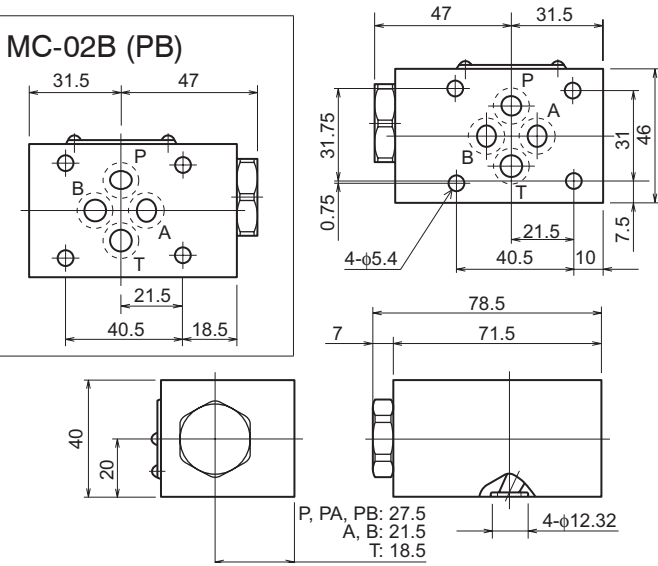
<https://www.daikinpmc.com/en/>

For latest information, PDF catalogs and operation manuals

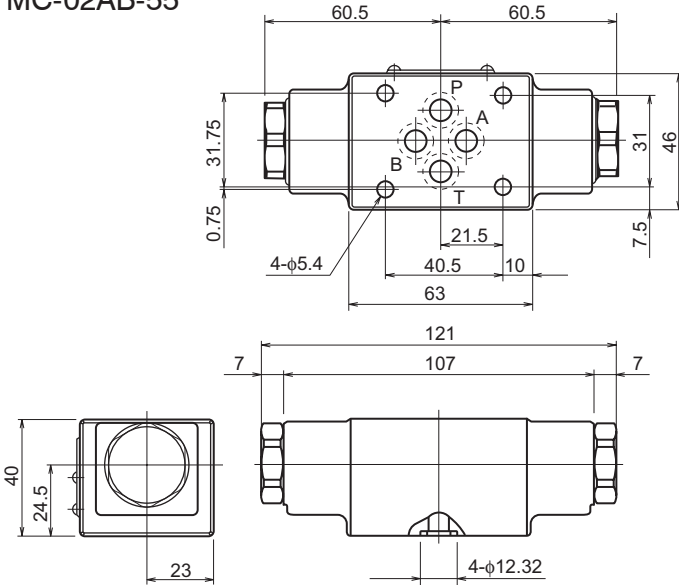
## External dimension diagram

MC-02P (A) (T) (PA) -65

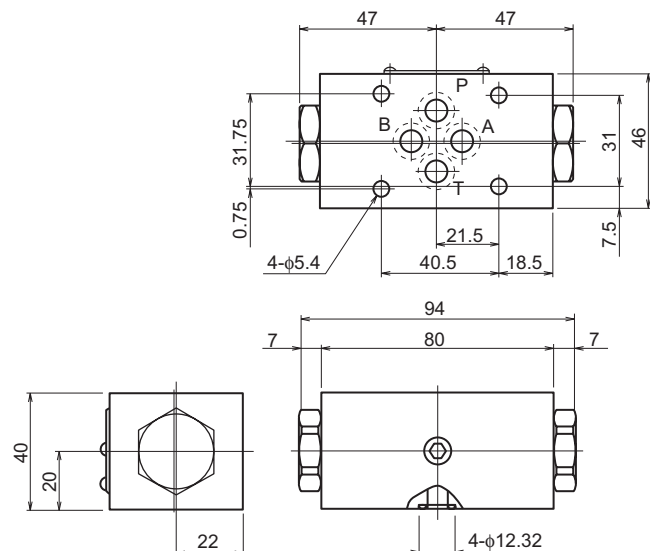
MC-02B (PB)



MC-02AB-55

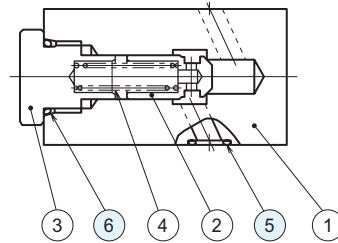


MC-02W-55



## Sectional structural diagram

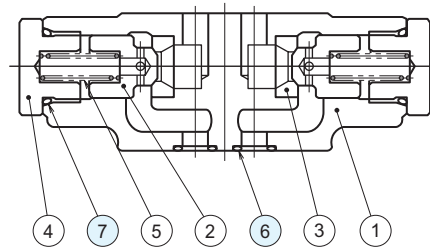
MC-02P (A) (B) (T) (PA) (PB)-65



### Sealing part table

Part No.	Name	Quantity	Part specifications
5	O-ring	4	AS568-012 (NBR, Hs90)
6	O-ring	1	JIS B 2401 1B P16

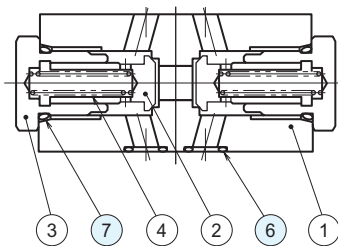
MC-02AB-55



### Sealing part table

Part No.	Name	Quantity	Part specifications
6	O-ring	4	AS568-012 (NBR, Hs90)
7	O-ring	2	JIS B 2401 1B P18

MC-02W-55



### Sealing part table

Part No.	Name	Quantity	Part specifications
6	O-ring	4	AS568-012 (NBR, Hs90)
7	O-ring	2	JIS B 2401 1B P18