

Contact Details

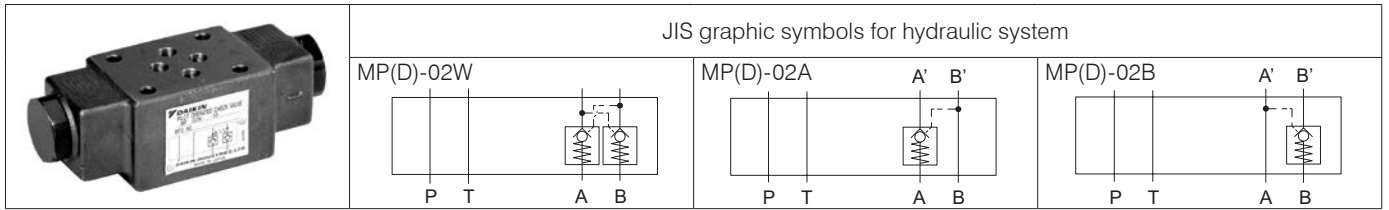
Before using the product, please check the guide pages at the front of this catalog.

Internet

<https://www.daikinpmc.com/en/>

For latest information, PDF catalogs and operation manuals

02 Series Stacking Type Pilot Operated Check Valves



Nomenclature

※ - MP ※ - 02 ※ - ※※ - ※※
 1 2 3 4 5 6 7

- Applicable fluid code**
No designation: Petroleum-based hydraulic fluid, water-glycol hydraulic fluid
F: Phosphate ester hydraulic fluid
- Model No.**
MP: Modular stacking type pilot operated check valve
- Decompression code**
No designation: Direct operated type
D: Decompression type (applicable only to design No. 55)
- Nominal diameter**
02: ¼
- Control port**
W: Port A/B
A: Port A
B: Port B
- Cracking pressure code**
20: 0.2 MPa {2 kgf/cm²}
50: 0.5 MPa {5 kgf/cm²}
- Design No.**
(The design No. is subject to change)
55: 25 MPa {250 kgf/cm²}
60: 35 MPa {350 kgf/cm²}

Specifications

Model code	Maximum operating pressure MPa {kgf/cm ² }	Maximum flow rate L/min	Cracking pressure MPa {kgf/cm ² }	Area ratio *1	Mass kg
MP※-02※-20-55	25 {250}	40	0.2 {2}	(1) 2.7 :1	1.1
MP※-02※-50-55			0.5 {5}		
MP-02※-20-60	35 {350}	40	0.2 {2}	(2) 1.96:1	1.2
MP-02※-50-60			0.5 {5}		

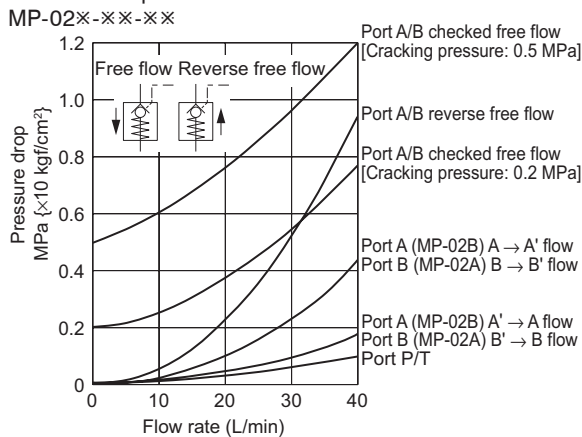
Note: *1 Area ratio (1) <MP> Pilot piston: Check valve (2) <MPD> Pilot piston: Large check valve (3) <MPD> Pilot piston: Small check valve

Handling

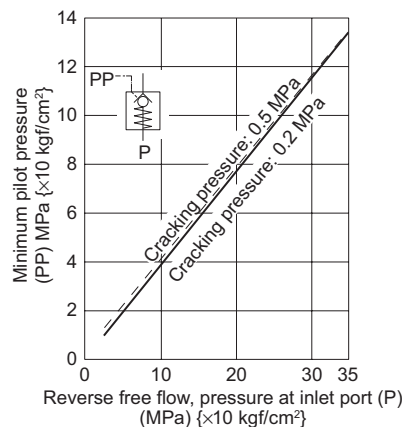
- The internal drain type is adopted.

Performance curves (viscosity: 32 mm²/s {cSt})

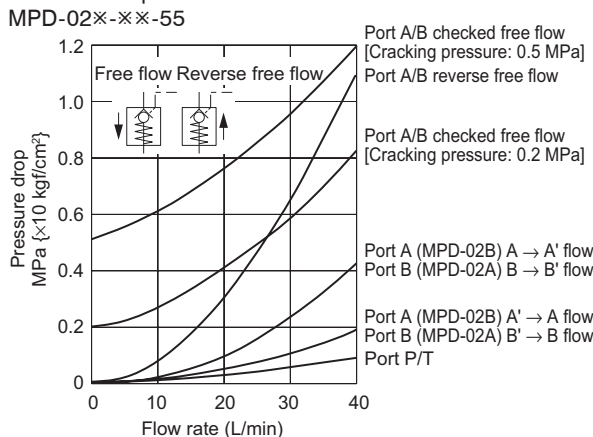
Pressure drop characteristics



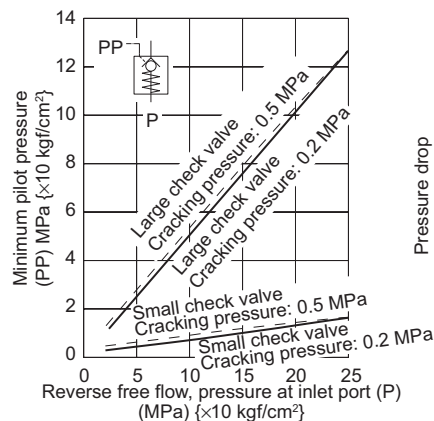
Pilot pressure characteristics



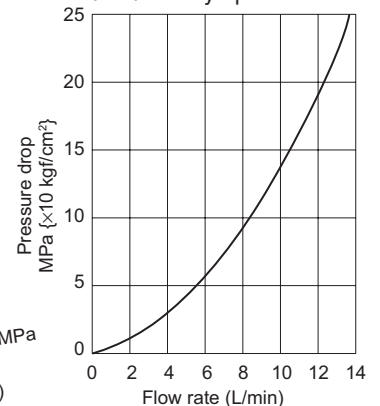
Pressure drop characteristics



Pilot pressure characteristics



Pressure drop characteristics with the small valve fully open



Contact Details

Before using the product, please check the guide pages at the front of this catalog.

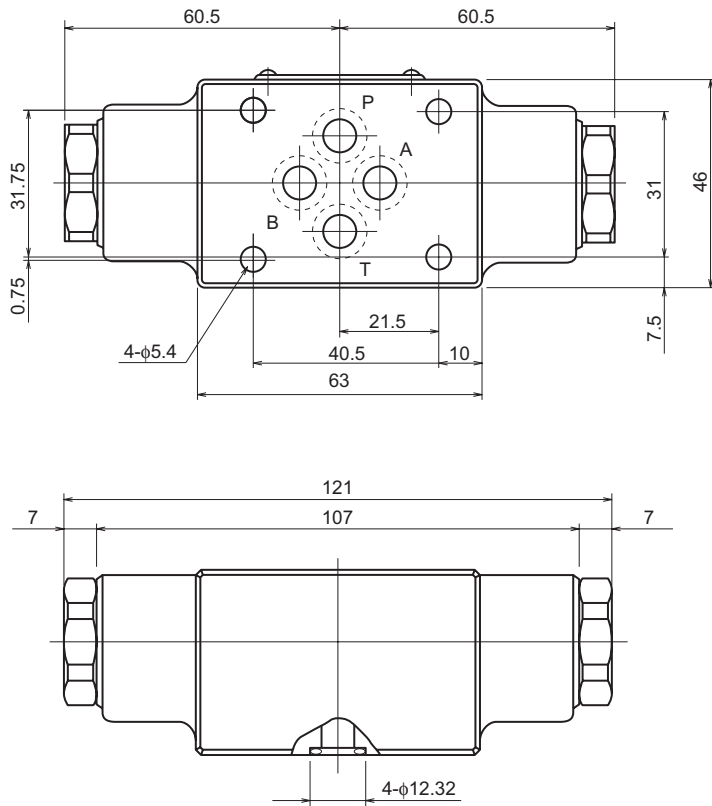
Internet

<https://www.daikinpmc.com/en/>

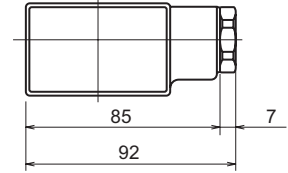
For latest information, PDF catalogs and operation manuals

External dimension diagram

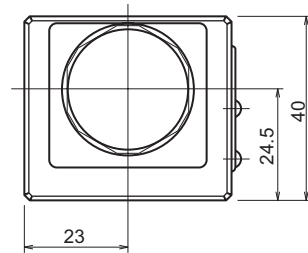
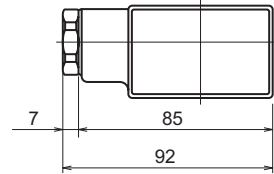
MP(D)-02W-55



MP(D)-02A-55



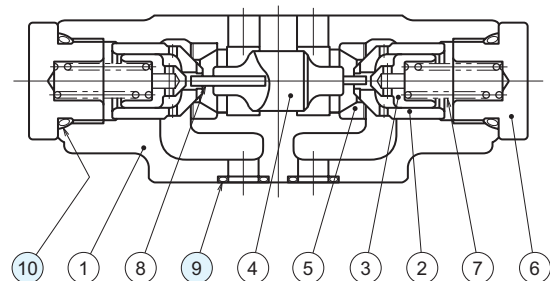
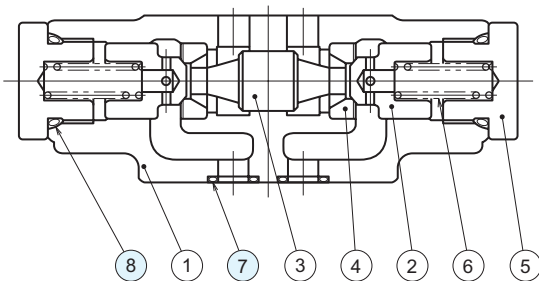
MP(D)-02B-55



Sectional structural diagram

MP-02※-55

MPD-02※-55



Sealing part table

Part No.	Name	Quantity		Part specifications
		MP-02W	MP-02A, B	
7	O-ring	4	4	AS568-012 (NBR, Hs90)
8	O-ring	2	1	JIS B 2401 1B P18

Sealing part table

Part No.	Name	Quantity		Part specifications
		MPD-02W	MPD-02A, B	
9	O-ring	4	4	AS568-012 (NBR, Hs90)
10	O-ring	2	1	JIS B 2401 1B P18

Contact Details

Before using the product, please check the guide pages at the front of this catalog.

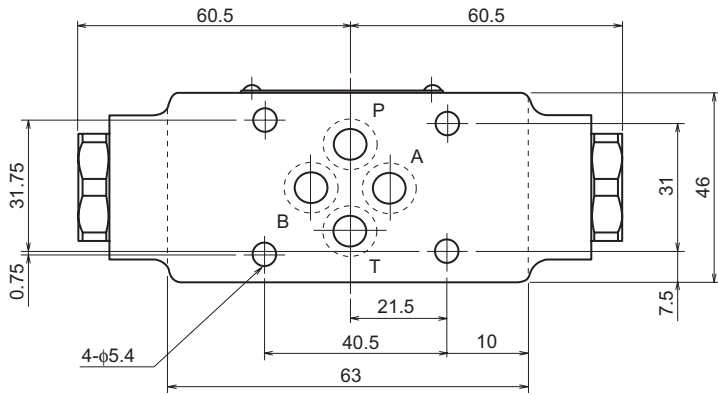
Internet

<https://www.daikinpmc.com/en/>

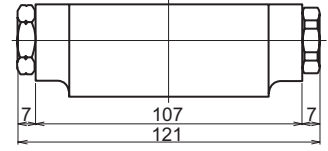
For latest information, PDF catalogs and operation manuals

External dimension diagram

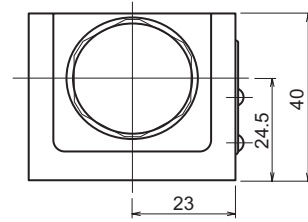
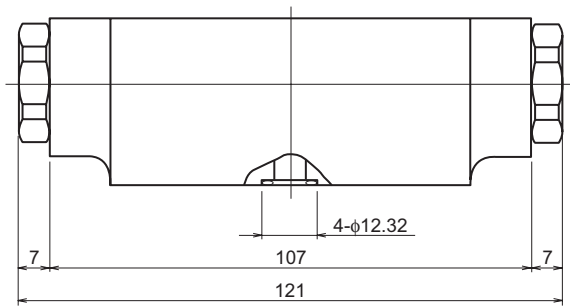
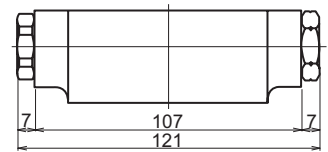
MP-02W-**-60



MP-02A-**-60

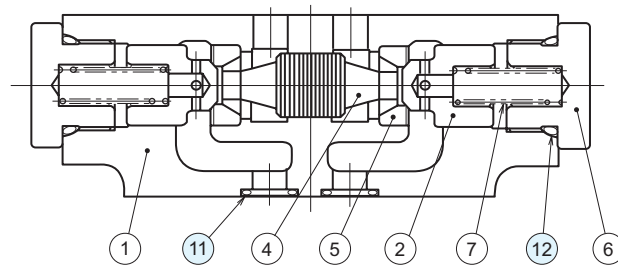


MP-02B-**-60



Sectional structural diagram

MP-02W-**-60



Sealing part table

Part No.	Name	Quantity		Part specifications
		MP-02W	MP-02A, B	
11	O-ring	4	4	AS568-012 (NBR, Hs90)
12	O-ring	2	2	JIS B 2401 1B P18