

Contact Details

Before using the product, please check the guide pages at the front of this catalog.

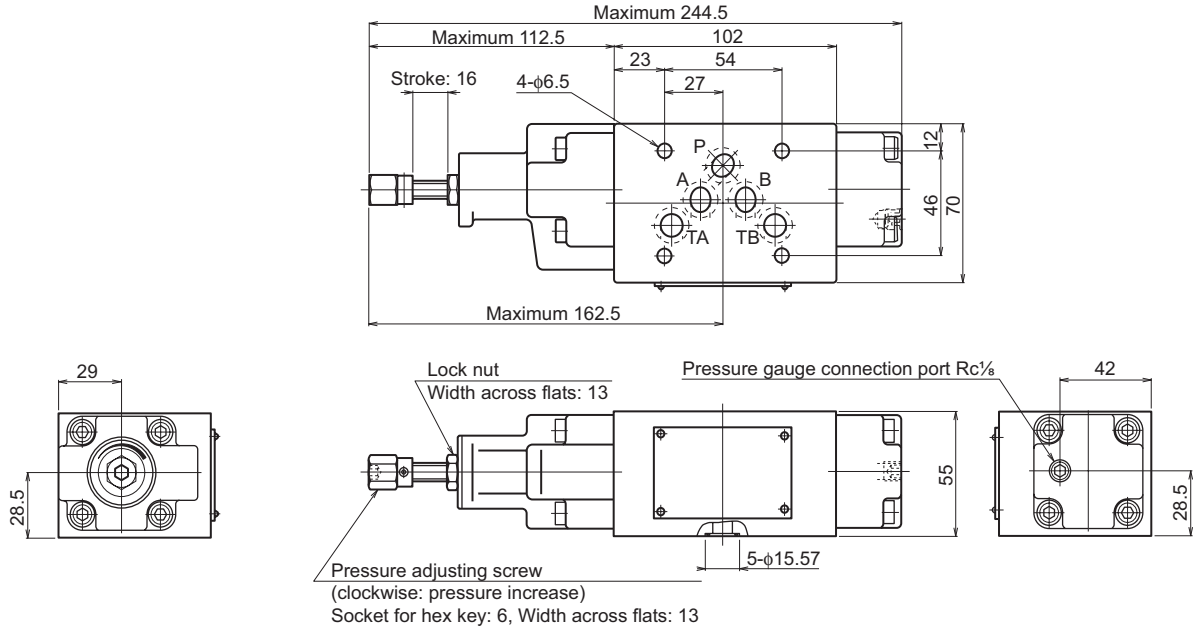
Internet

<https://www.daikinpmc.com/en/>

For latest information, PDF catalogs and operation manuals

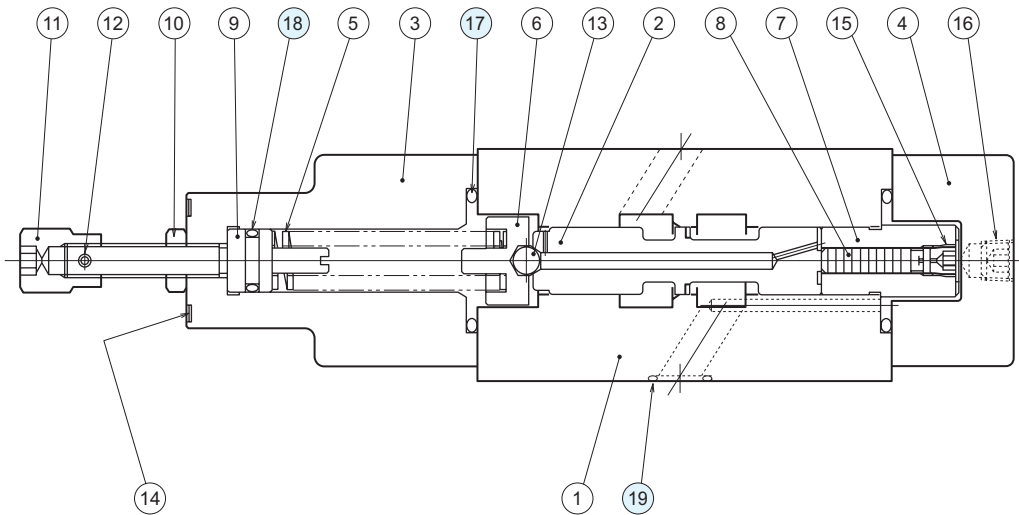
External dimension diagram

MQ-03P



Sectional structural diagram

MQ-03P



Sealing part table

Part No.	Name	Quantity	Part specifications
17	O-ring	2	JIS B 2401 1BP28
18	O-ring	1	JIS B 2401 1BP11
19	O-ring	5	AS568-014 (NBR, Hs90)