

Contact Details

Before using the product, please check the guide pages at the front of this catalog.

Internet

<https://www.daikinpmc.com/en/>

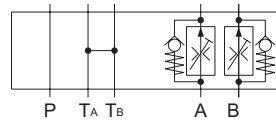
For latest information, PDF catalogs and operation manuals

03 Series Stacking Type Port A/B Flow Control Valves

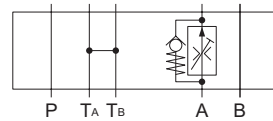
JIS graphic symbols for hydraulic system



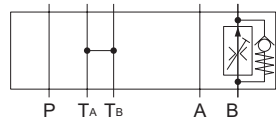
MF-03W



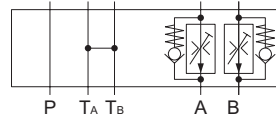
MF-03A



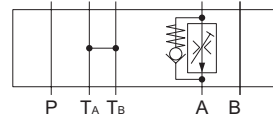
MF-03B



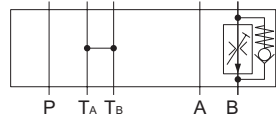
MF-03Wi



MF-03Ai



MF-03Bi



Nomenclature

※ - MF - 03 ※ ※ - 45
 1 2 3 4 5 6

1 Applicable fluid code

No designation: Petroleum-based hydraulic fluid, water-glycol hydraulic fluid
 F: Phosphate ester hydraulic fluid

2 Model No.

MF: Modular stacking type flow control valve

3 Nominal diameter

03: 3/8

Note: Contact DAIKIN separately for the delivery term of the products that accept phosphate ester hydraulic fluids.

4 Control port

W: Port A/B
 A: Port A
 B: Port B

5 Control method

No designation: Meter-out control
 i: Meter-in control

6 Design No.

(The design No. is subject to change)

Specifications

Model code	Maximum operating pressure MPa {kgf/cm ² }	Maximum flow rate L/min	Control flow rate *1 L/min		Check valve cracking pressure MPa {kgf/cm ² }	Mass kg
			(1)	(2)		
MF-03W※-45	25 {250}	60	0.5 to 60	1 to 60	0.1 {1}	5
MF-03A(B)※-45						4.6

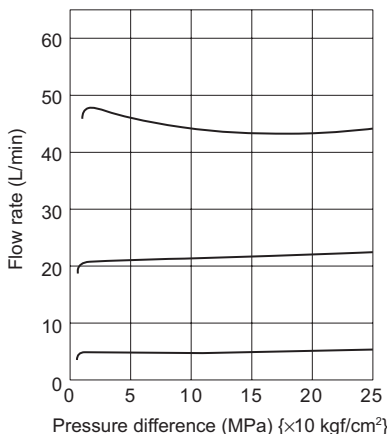
Note: *1 Control flow rate (1) Pressure difference between the inlet and outlet ports to be 7 MPa {70 kgf/cm²} maximum
 (2) Pressure difference between the inlet and outlet ports to be 25 MPa {250 kgf/cm²} maximum

Handling

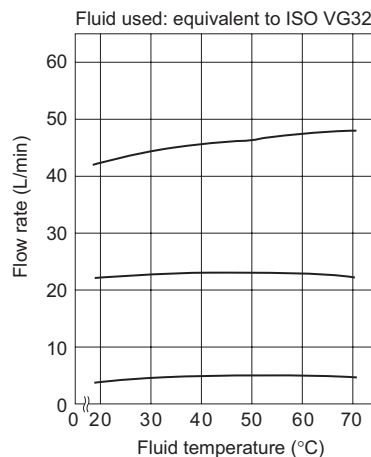
- To ensure good pressure compensation performance, maintain a pressure difference of 1 MPa {10 kgf/cm²} minimum between the inlet and outlet ports.
- The flow rate will not be zero even if the flow rate adjusting handle is fully tightened.

Performance curves (viscosity: 32 mm²/s {cSt})

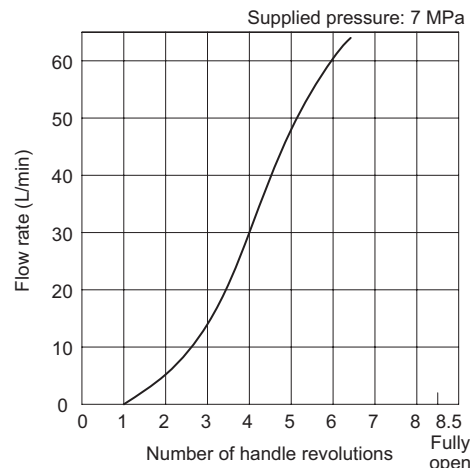
Pressure - Flow rate characteristics



Fluid temperature - Flow rate characteristics



Handle revolution - Flow rate characteristics



Contact Details

Before using the product, please check the guide pages at the front of this catalog.

Internet

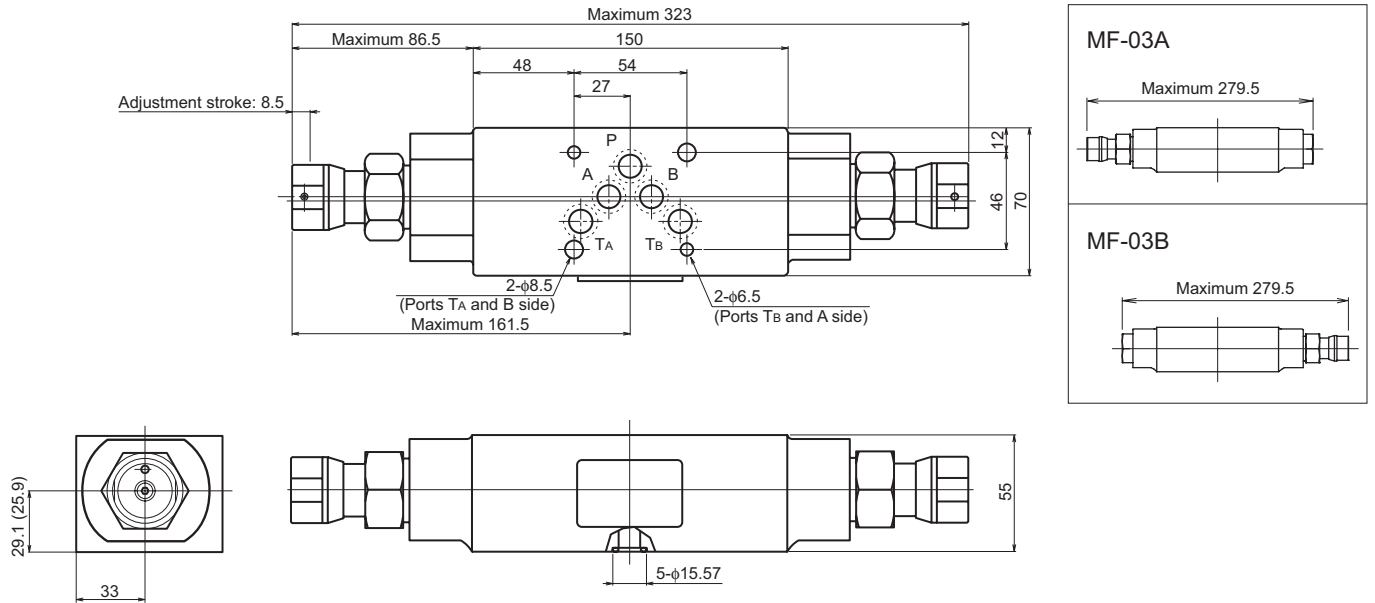
<https://www.daikinpmc.com/en/>

For latest information, PDF catalogs and operation manuals

External dimension diagram

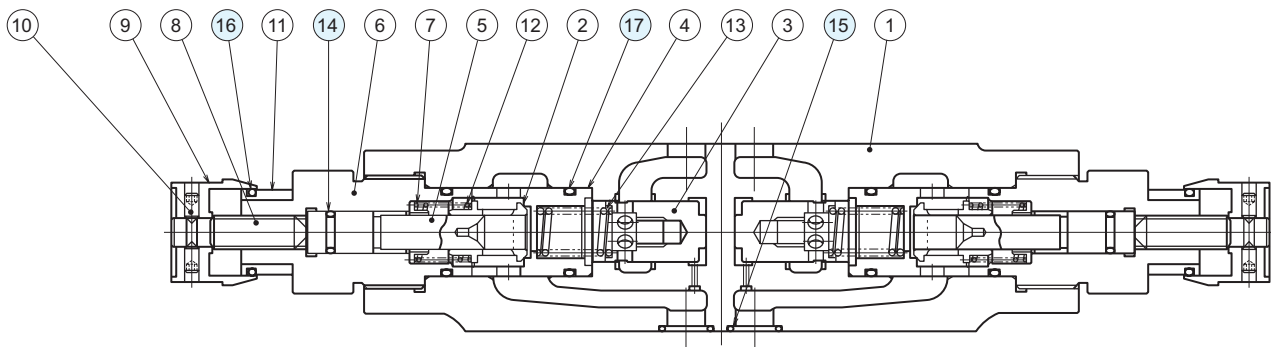
MF-03W (i)

Dimensions in parentheses are for MF-03Wi.



Sectional structural diagram

MF-03W



Sealing part table

Part No.	Name	Quantity	Part specifications
14	O-ring	2	JIS B 2401 1A P10
15	O-ring	5	AS568-014 (NBR, Hs90)
16	O-ring	2	JIS B 2401 1A P21
17	O-ring	4	JIS B 2401 1B P22