

Contact Details

Before using the product, please check the guide pages at the front of this catalog.

Internet

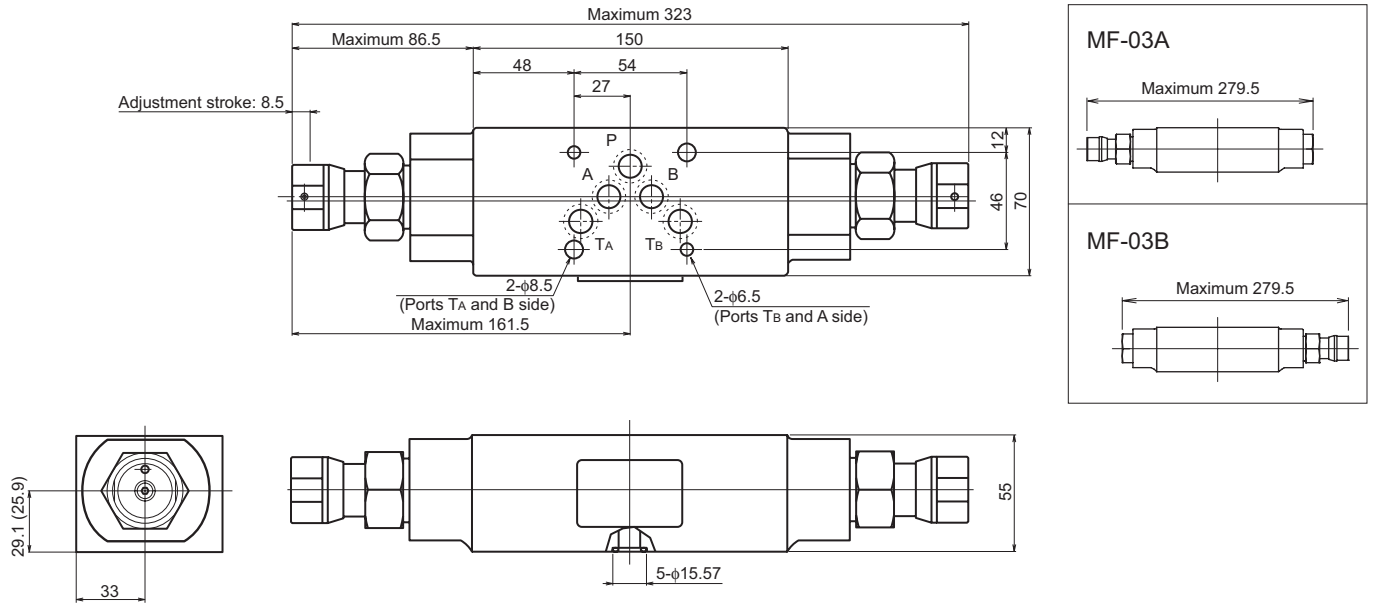
<https://www.daikinpmc.com/en/>

For latest information, PDF catalogs and operation manuals

External dimension diagram

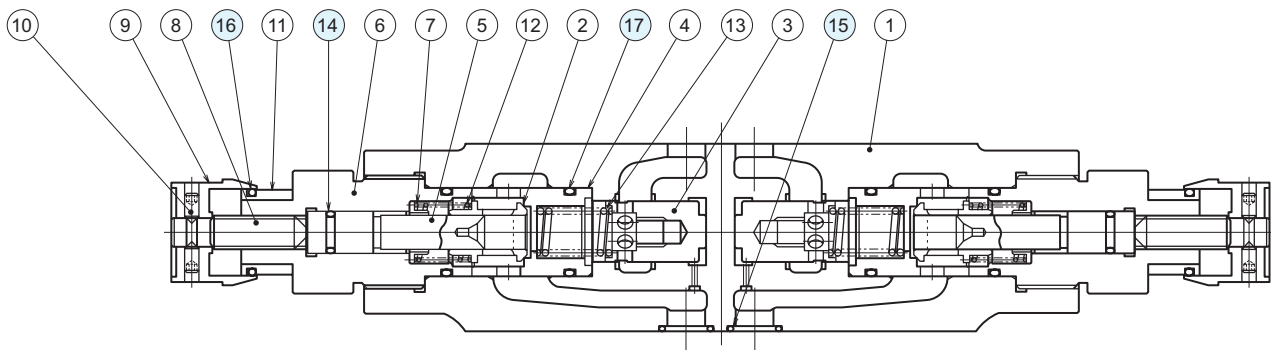
MF-03W (i)

Dimensions in parentheses are for MF-03Wi.



Sectional structural diagram

MF-03W



Sealing part table

Part No.	Name	Quantity	Part specifications
14	O-ring	2	JIS B 2401 1A P10
15	O-ring	5	AS568-014 (NBR, Hs90)
16	O-ring	2	JIS B 2401 1A P21
17	O-ring	4	JIS B 2401 1B P22