

Contact Details

Before using the product, please check the guide pages at the front of this catalog.

Internet

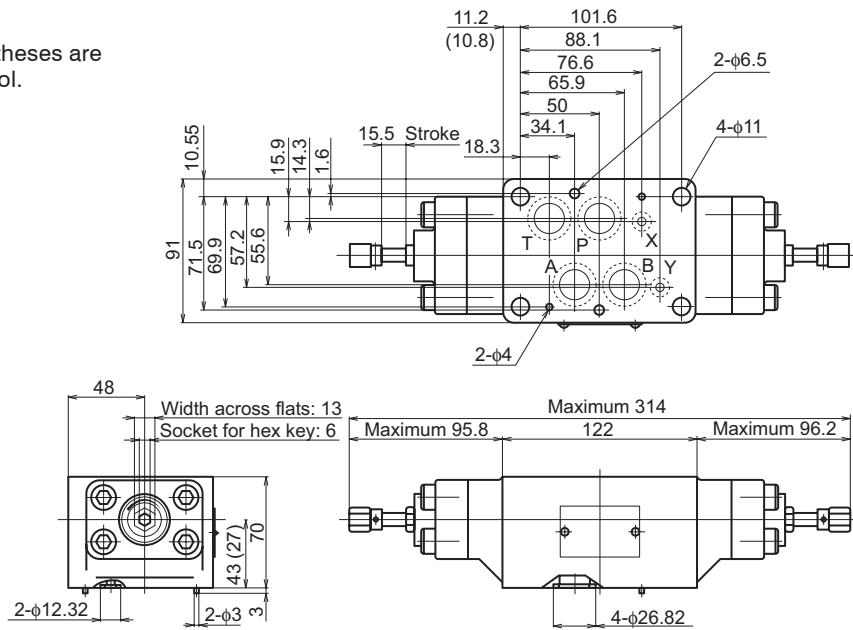
<https://www.daikinpmc.com/en/>

For latest information, PDF catalogs and operation manuals

External dimension diagram

MT-04**

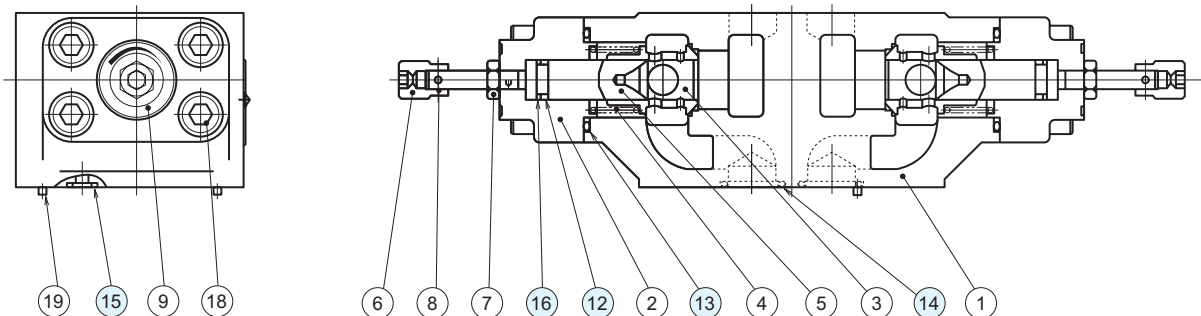
Dimensions in parentheses are for the meter-in control.



	<p>MT-04W</p> <p>Maximum 314</p>	<p>MT-04A</p> <p>Maximum 269</p>	<p>MT-04B</p> <p>Maximum 269</p>
Meter-out			
	<p>MT-04Wi</p>	<p>MT-04Ai</p>	<p>MT-04Bi</p>
Meter-in			

Sectional structural diagram

MT-04W



Sealing part table

Part No.	Name	Quantity			Part specifications
		04W(i)	04A(i)	04B(i)	
12	O-ring	2	1	1	JIS B 2401 1A P12
13	O-ring	2	2	2	AS568-127 (NBR, Hs90)
14	O-ring	4	4	4	AS568-118 (NBR, Hs90)
15	O-ring	2	2	2	AS568-012 (NBR, Hs90)
16	Backup ring	2	1	1	JIS B 2407 Bias cut P12