

Contact Details

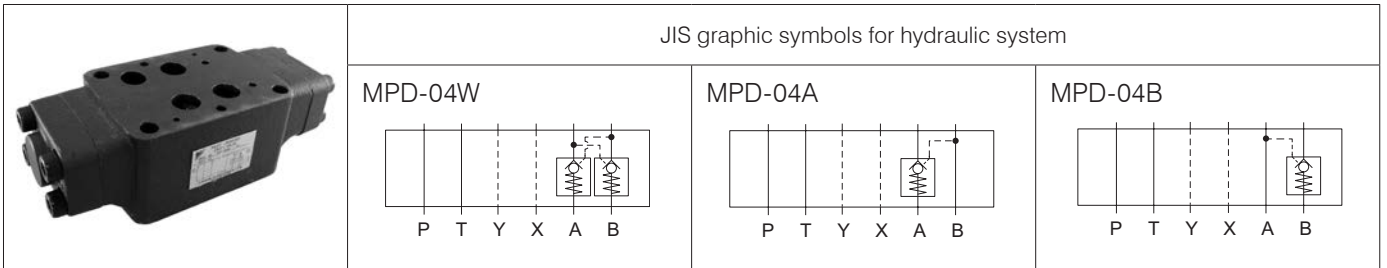
Before using the product, please check the guide pages at the front of this catalog.

Internet

<https://www.daikinpmc.com/en/>

For latest information, PDF catalogs and operation manuals

04 Series Stacking Type Pilot Operated Check Valves



Nomenclature

※ - MP D - 04 ※ - ※※ - 10

1 2 3 4 5 6 7

1 Applicable fluid code

No designation: Petroleum-based hydraulic fluid, water-glycol hydraulic fluid
 F: Phosphate ester hydraulic fluid

2 Model No.

MP: Modular stacking type pilot operated check valve

3 Decompression code

D: Decompression type

4 Nominal diameter

04: ½

5 Control port

W: Port A/B
 A: Port A
 B: Port B

6 Cracking pressure code

20: 0.2 MPa {2 kgf/cm²}
 50: 0.5 MPa {5 kgf/cm²}

7 Design No.

(The design No. is subject to change)

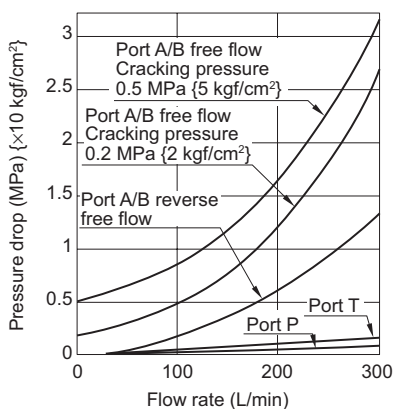
Specifications

| Model code | Maximum operating pressure MPa {kgf/cm ² } | Maximum flow rate L/min | Cracking pressure MPa {kgf/cm ² } | Area ratio *1 | Mass kg |
|---------------|--|----------------------------|---|---------------|---------|
| MPD-04※-20-10 | 35 {350} | 300 | 0.2 {2} | (1) 2 :1 | 6.8 |
| MPD-04※-50-10 | | | 0.5 {5} | (2) 13.27:1 | |

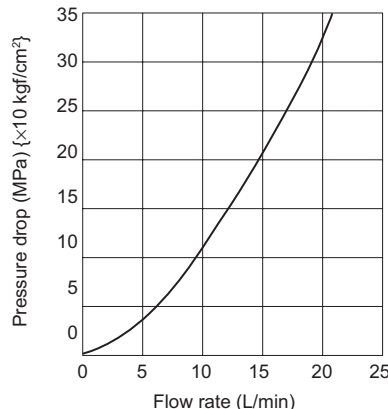
Note: *1 Area ratio (1) Pilot piston: Large check valve
 (2) Pilot piston: Small check valve

Performance curves (viscosity: 32 mm²/s {cSt})

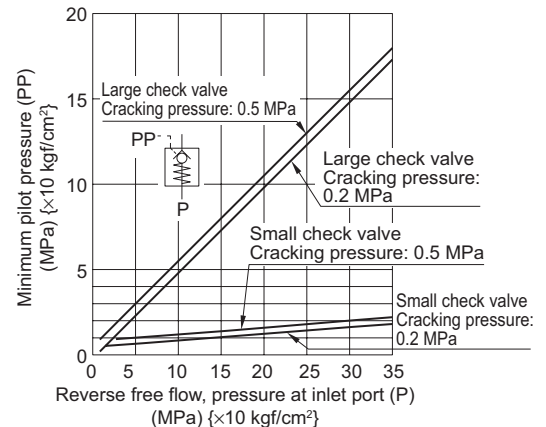
Pressure drop characteristics



Pressure drop characteristics (with the small check valve fully open)



Pilot pressure characteristics



Contact Details

Before using the product, please check the guide pages at the front of this catalog.

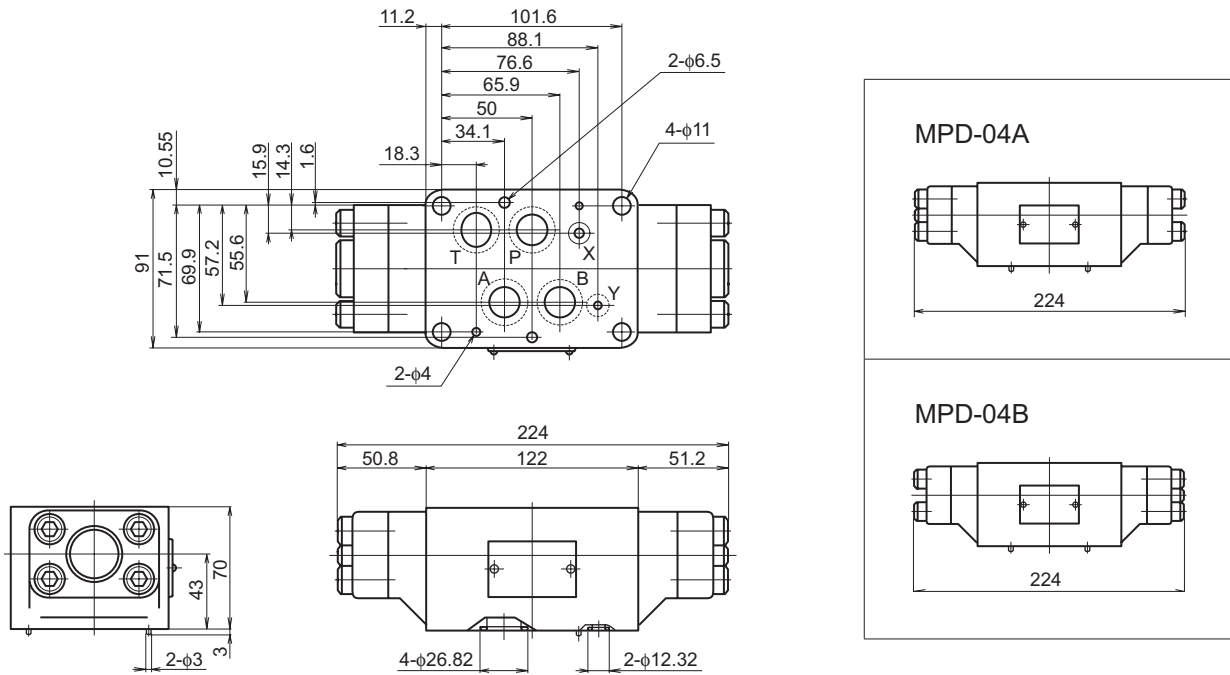
Internet

<https://www.daikinpmc.com/en/>

For latest information, PDF catalogs and operation manuals

External dimension diagram

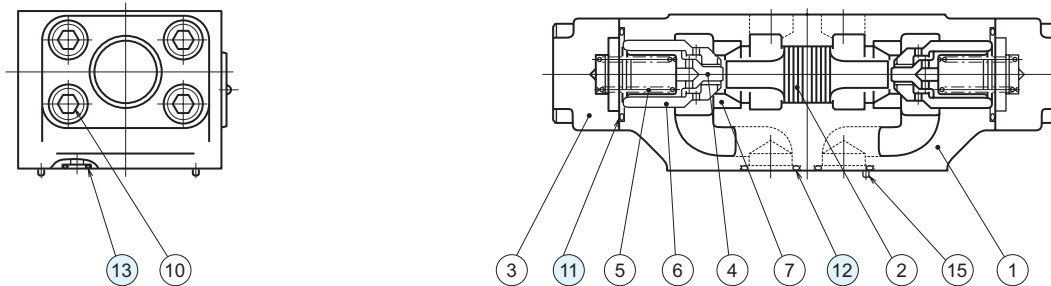
MPD-04W



The shapes of the left and right covers differ slightly between 04A and 04B.

Sectional structural diagram

MPD-04W



Sealing part table

| Part No. | Name | Quantity | Part specifications |
|----------|--------|----------|-----------------------|
| 11 | O-ring | 2 | AS568-127 (NBR, Hs90) |
| 12 | O-ring | 4 | AS568-118 (NBR, Hs90) |
| 13 | O-ring | 2 | AS568-012 (NBR, Hs90) |