

## Contact Details

Before using the product, please check the guide pages at the front of this catalog.

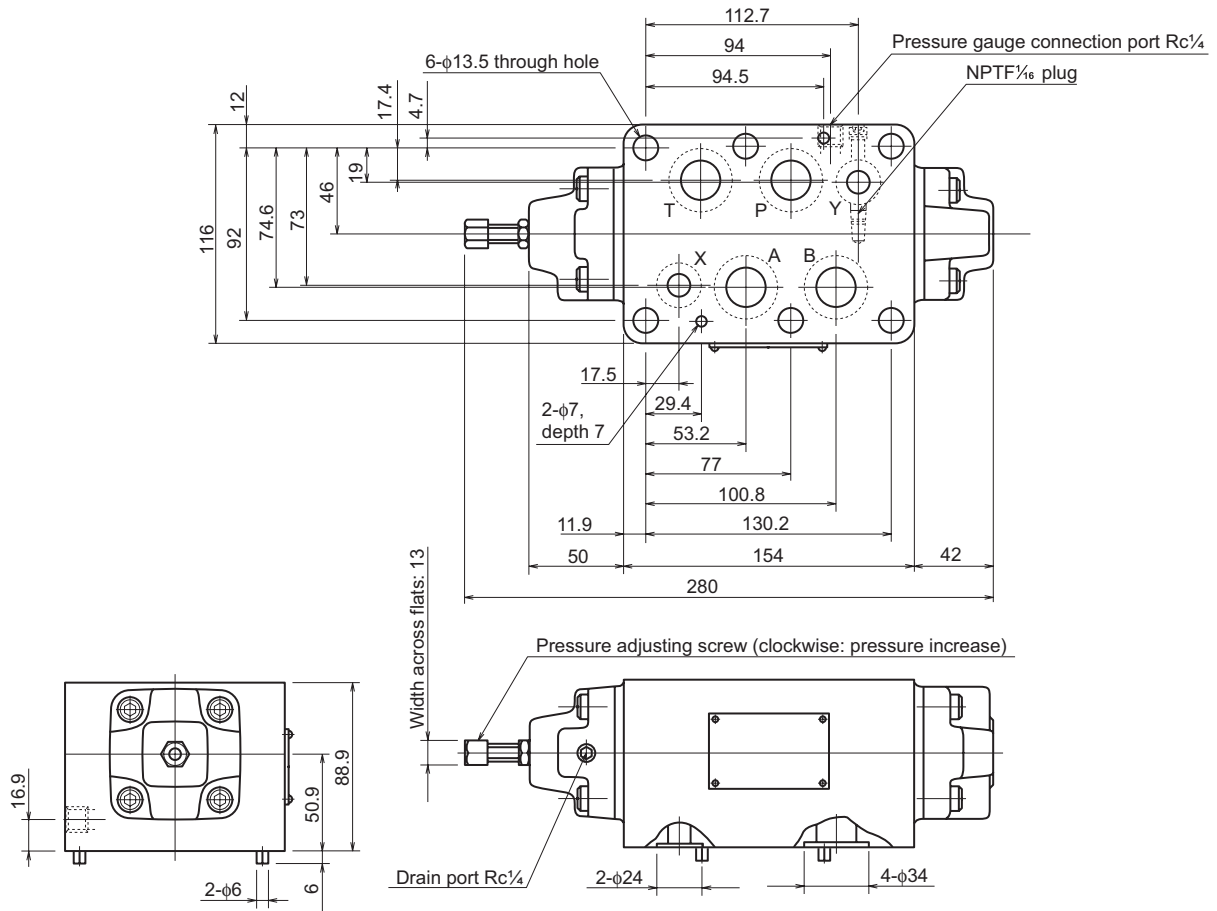
Internet

<https://www.daikinpmc.com/en/>

For latest information, PDF catalogs and operation manuals

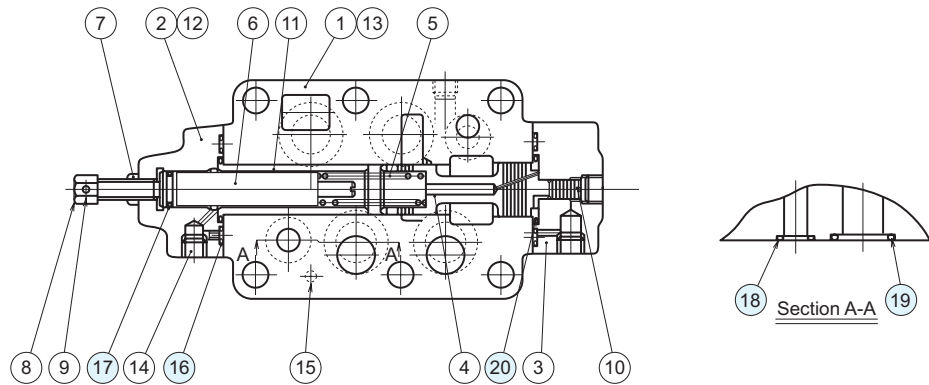
## External dimension diagram

MQ-06P



## Sectional structural diagram

MQ-06P



Sealing part table

| Part No. | Name   | Quantity | Part specifications |
|----------|--------|----------|---------------------|
| 16       | O-ring | 4        | JIS B 2401 1BP6     |
| 17       | O-ring | 1        | JIS B 2401 1BP16    |
| 18       | O-ring | 2        | JIS B 2401 1BP20    |
| 19       | O-ring | 4        | JIS B 2401 1BP28    |
| 20       | O-ring | 2        | JIS B 2401 1BG30    |