

Contact Details

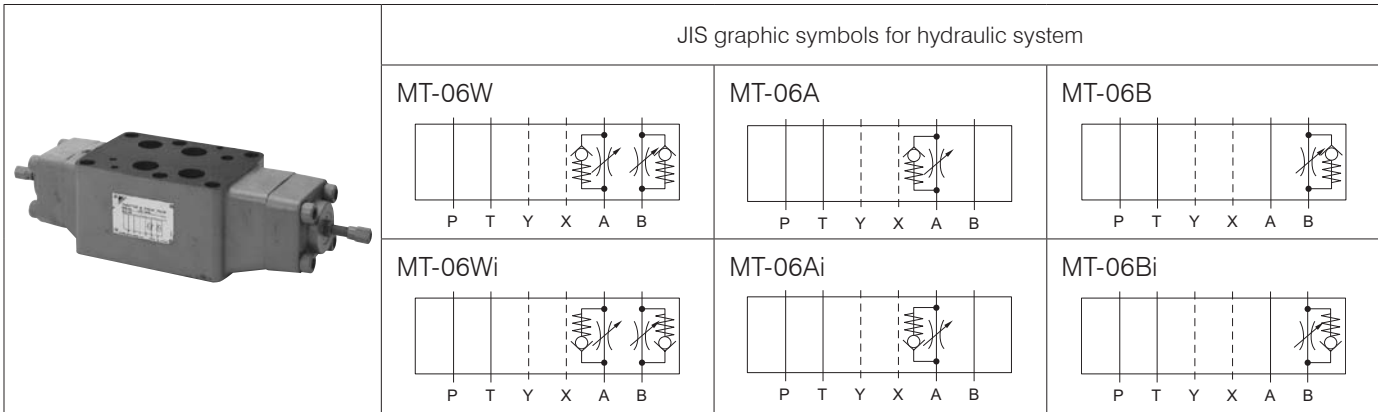
Before using the product, please check the guide pages at the front of this catalog.

Internet

<https://www.daikinpmc.com/en/>

For latest information, PDF catalogs and operation manuals

06 Series Stacking Type Port A/B Throttle Valves



Nomenclature

* - **MT** - **06** * * - **30**
1 2 3 4 5 6

1 Applicable fluid code

No designation: Petroleum-based hydraulic fluid, water-glycol hydraulic fluid
 F: Phosphate ester hydraulic fluid

2 Model No.

MT: Modular stacking type throttle valve

3 Nominal diameter

06: $\frac{3}{4}$

4 Control port

W: Port A/B
 A: Port A
 B: Port B

5 Control method

No designation: Meter-out control
 i: Meter-in control

6 Design No.

(The design No. is subject to change)

Specifications

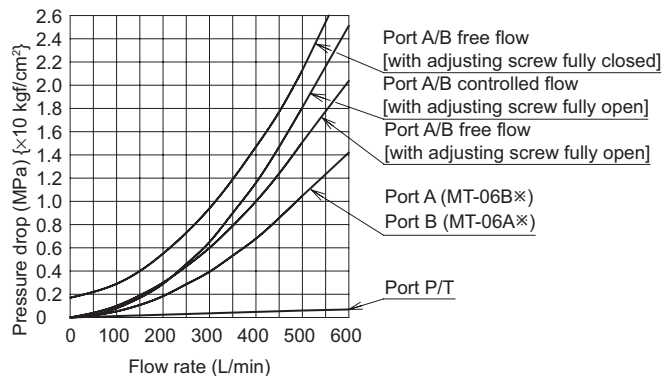
Model code	Maximum operating pressure MPa {kgf/cm ² }	Maximum flow rate L/min	Check valve cracking pressure MPa {kgf/cm ² }	Mass kg
MT-06**-30	35 {350}	600	0.15 {1.5}	13.6

Handling

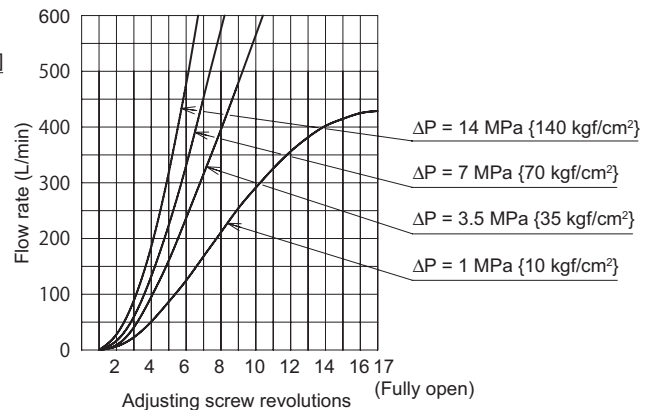
- The flow rate will not be zero even if the flow rate adjusting screw is fully tightened.

Performance curves (viscosity: 32 mm²/s {cSt})

Pressure drop characteristics



Adjusting screw revolution - Flow rate characteristics



Contact Details

Before using the product, please check the guide pages at the front of this catalog.

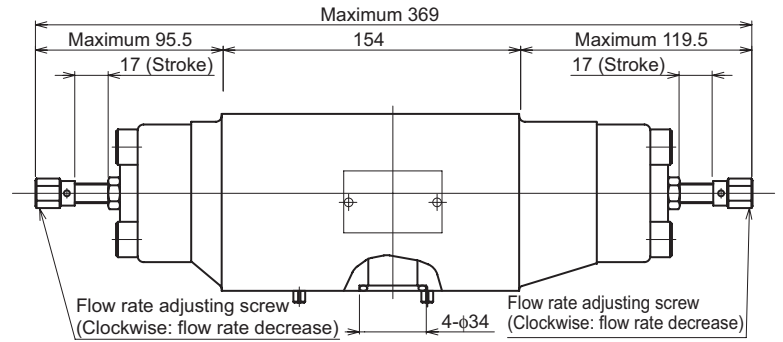
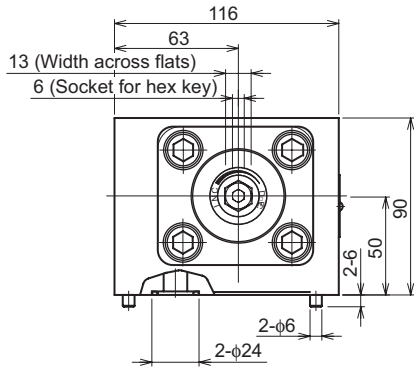
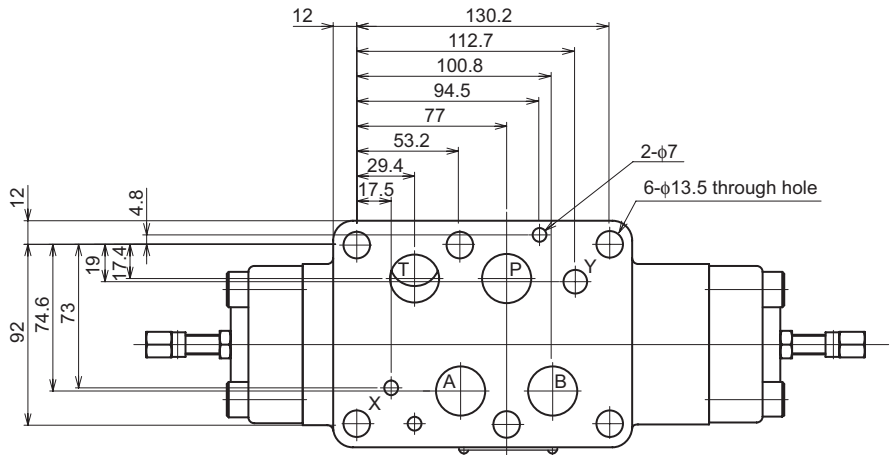
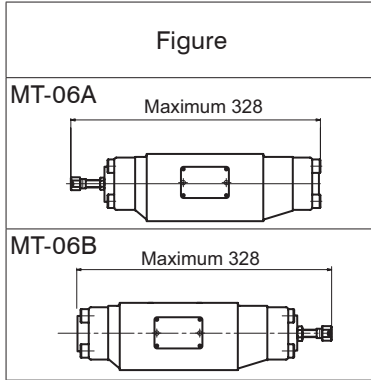
Internet

<https://www.daikinpmc.com/en/>

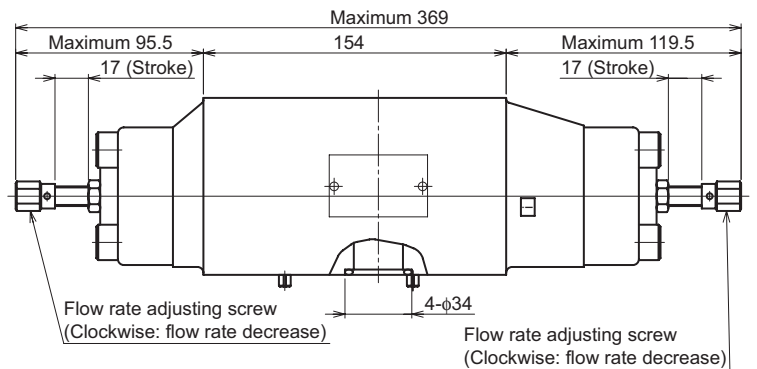
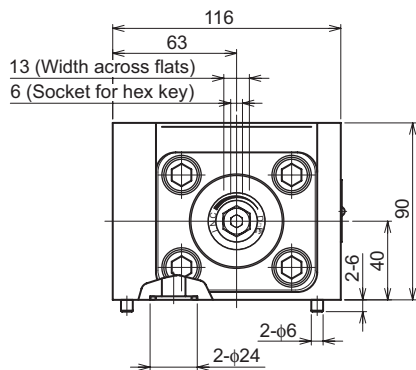
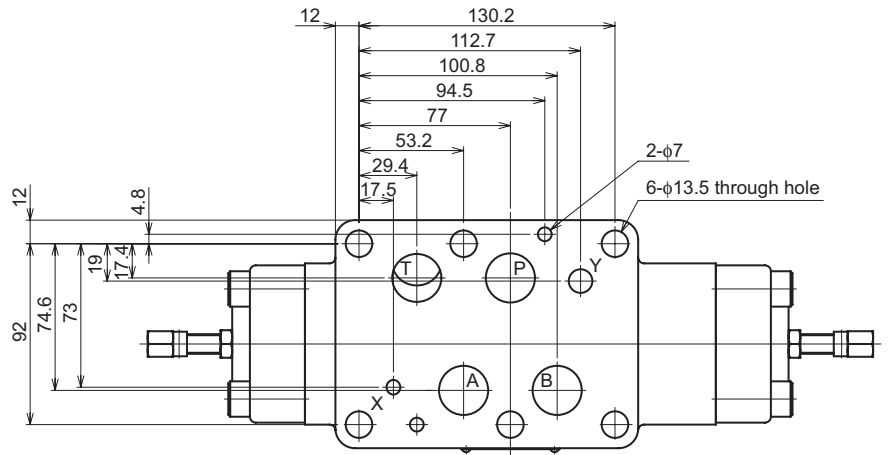
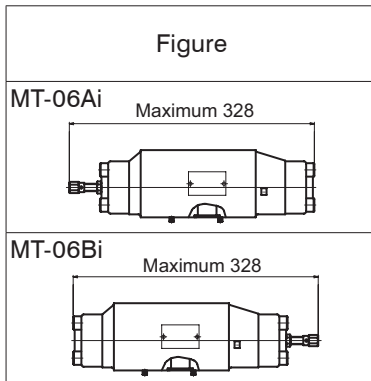
For latest information, PDF catalogs and operation manuals

External dimension diagram

MT-06W



MT-06Wi



Contact Details

Before using the product, please check the guide pages at the front of this catalog.

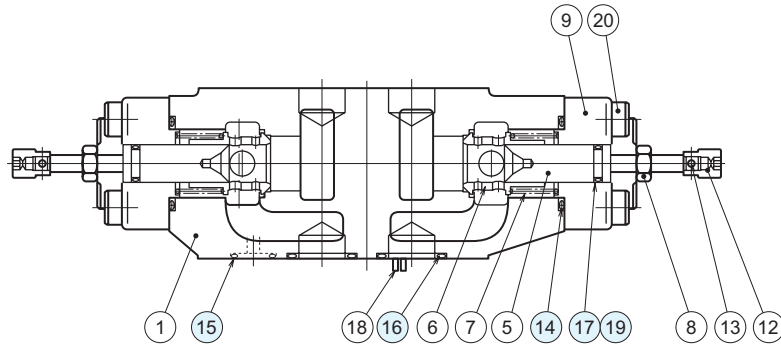
Internet

<https://www.daikinpmc.com/en/>

For latest information, PDF catalogs and operation manuals

Sectional structural diagram

MT-06W



Sealing part table

Part No.	Name	Quantity	Part specifications
14	O-ring	4	JIS B 2401 1BP44
15	O-ring	2	JIS B 2401 1BP20
16	O-ring	4	JIS B 2401 1BP28
17	O-ring	2	JIS B 2401 1BP16
19	Backup ring	2	JIS B 2407 Bias cut P16