

Contact Details

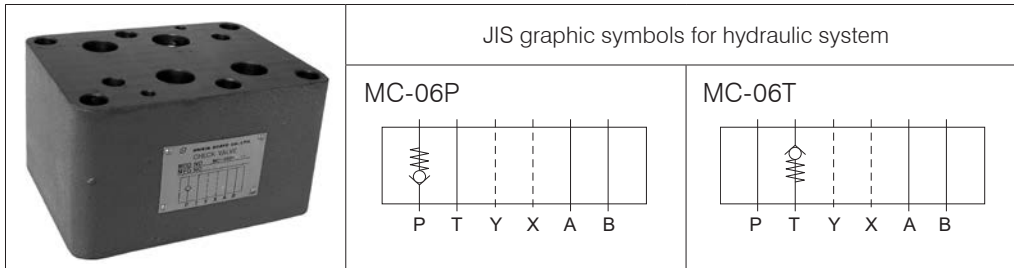
Before using the product, please check the guide pages at the front of this catalog.

Internet

<https://www.daikinpmc.com/en/>

For latest information, PDF catalogs and operation manuals

06 series stacking type check valve



Nomenclature

MC - 06 ※ - ※※ - 10

1 2 3 4 5

1 Model No.

(Applicable fluids: petroleum-based hydraulic oil)

MC: Modular stacking type check valve

2 Nominal diameter

06: 3/4

3 Control port

P: Port P

T: Port T

4 Cracking pressure code

05: 0.05 MPa {0.5 kgf/cm²}

45: 0.45 MPa {4.5 kgf/cm²} (Applicable only to control port code P)

5 Design No.

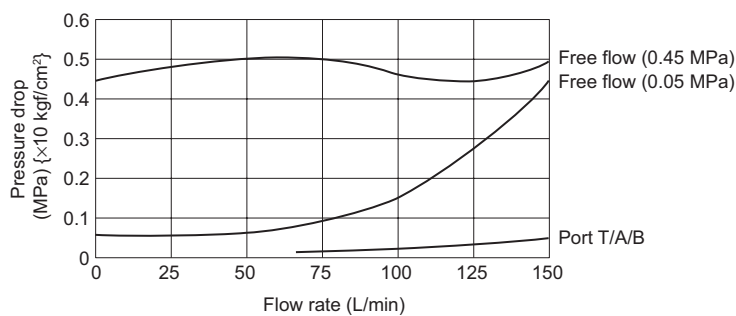
(The design No. is subject to change)

Specifications

Model code	Maximum operating pressure MPa {kgf/cm ² }	Maximum flow rate L/min	Check valve Cracking pressure MPa {kgf/cm ² }	Mass kg
MC-06※-05-10	21 {210}	120	0.05 {0.5}	10.5
MC-06※-45-10			0.45 {4.5}	

Performance curves (viscosity: 32 mm²/s {cSt})

Pressure drop characteristics



Contact Details

Before using the product, please check the guide pages at the front of this catalog.

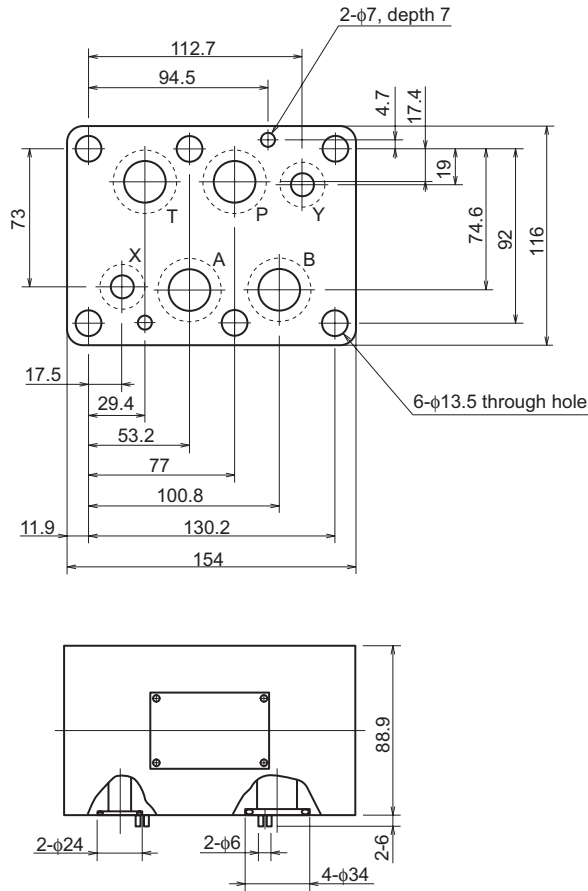
Internet

<https://www.daikinpmc.com/en/>

For latest information, PDF catalogs and operation manuals

External dimension diagram

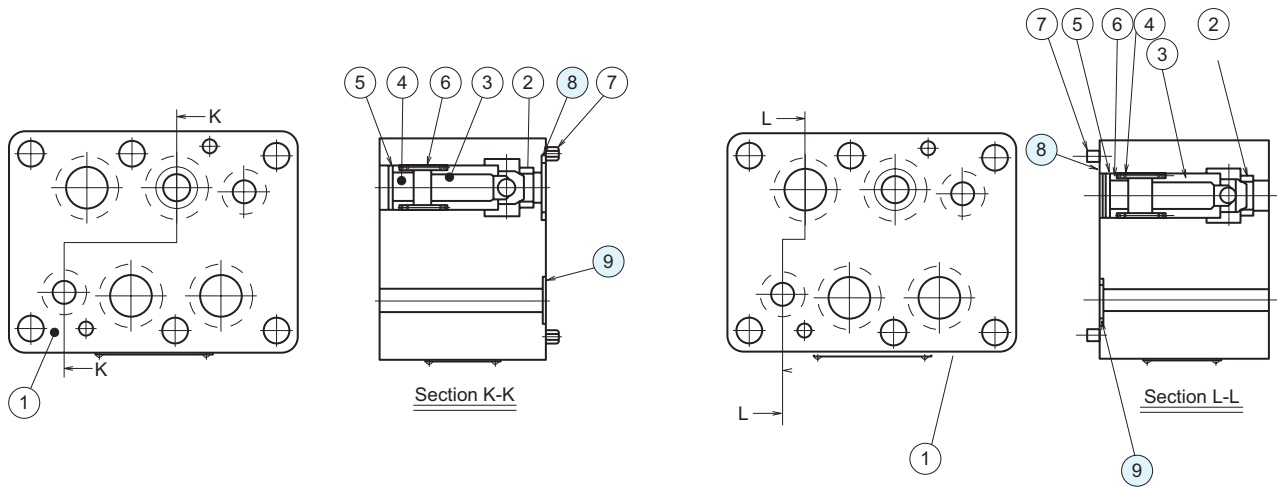
MC-06*



Sectional structural diagram

MC-06P

MC-06T



Sealing part table

Part No.	Name	Quantity	Part specifications
8	O-ring	4	JIS B 2401 1BP28
9	O-ring	2	JIS B 2401 1BP20