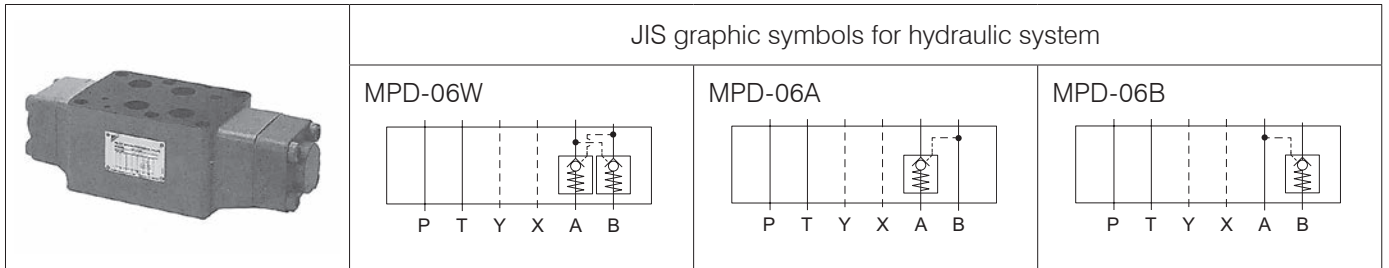


06 Series Stacking Type Pilot Operated Check Valves



Nomenclature



- 1 Applicable fluid code**
No designation: Petroleum-based hydraulic fluid, water-glycol hydraulic fluid
F: Phosphate ester hydraulic fluid
- 2 Model No.**
MP: Modular stacking type pilot operated check valve
- 3 Decompression code**
D: Decompression type
- 4 Nominal diameter**
06: 3/4
- 5 Control port**
W: Port A/B
A: Port A
B: Port B
- 6 Cracking pressure code**
20: 0.2 MPa {2 kgf/cm²}
50: 0.5 MPa {5 kgf/cm²}
- 7 Design No.**
(The design No. is subject to change)

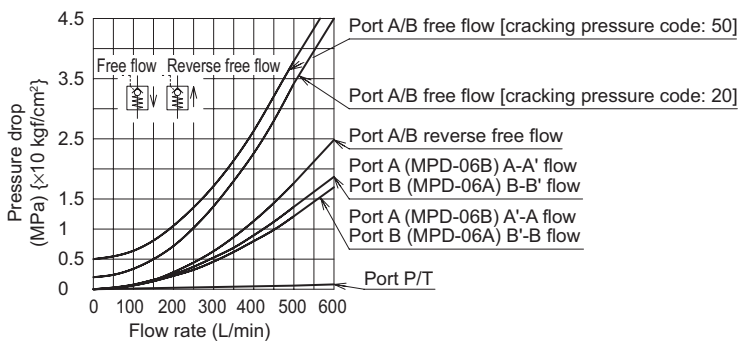
Specifications

Model code	Maximum operating pressure MPa {kgf/cm ² }	Maximum flow rate L/min	Cracking pressure MPa {kgf/cm ² }	Area ratio *1	Mass kg
MPD-06※-20-30	35 {350}	600	0.2 {2}	(1) 2.0:1	13.6
MPD-06※-50-30			0.5 {5}	(2) 12.5:1	

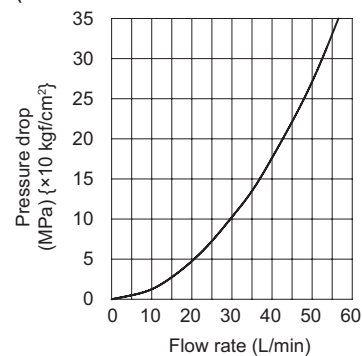
Note: *1 Area ratio (1) Pilot piston: Large check valve
(2) Pilot piston: Small check valve

Performance curves (viscosity: 32 mm²/s {cSt})

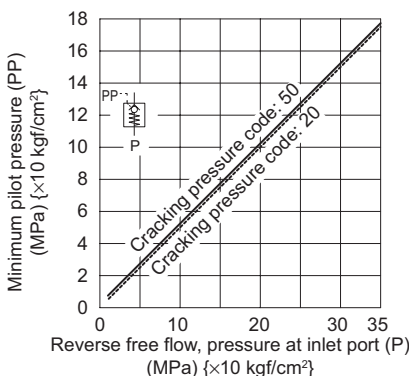
Pressure drop characteristics



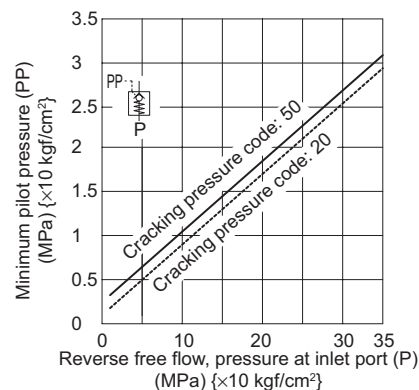
Pressure drop characteristics (with the small check valve fully open)



Pilot pressure characteristics (Large check valve: piston)



Pilot pressure characteristics (Small check valve: piston)



Contact Details

Before using the product, please check the guide pages at the front of this catalog.

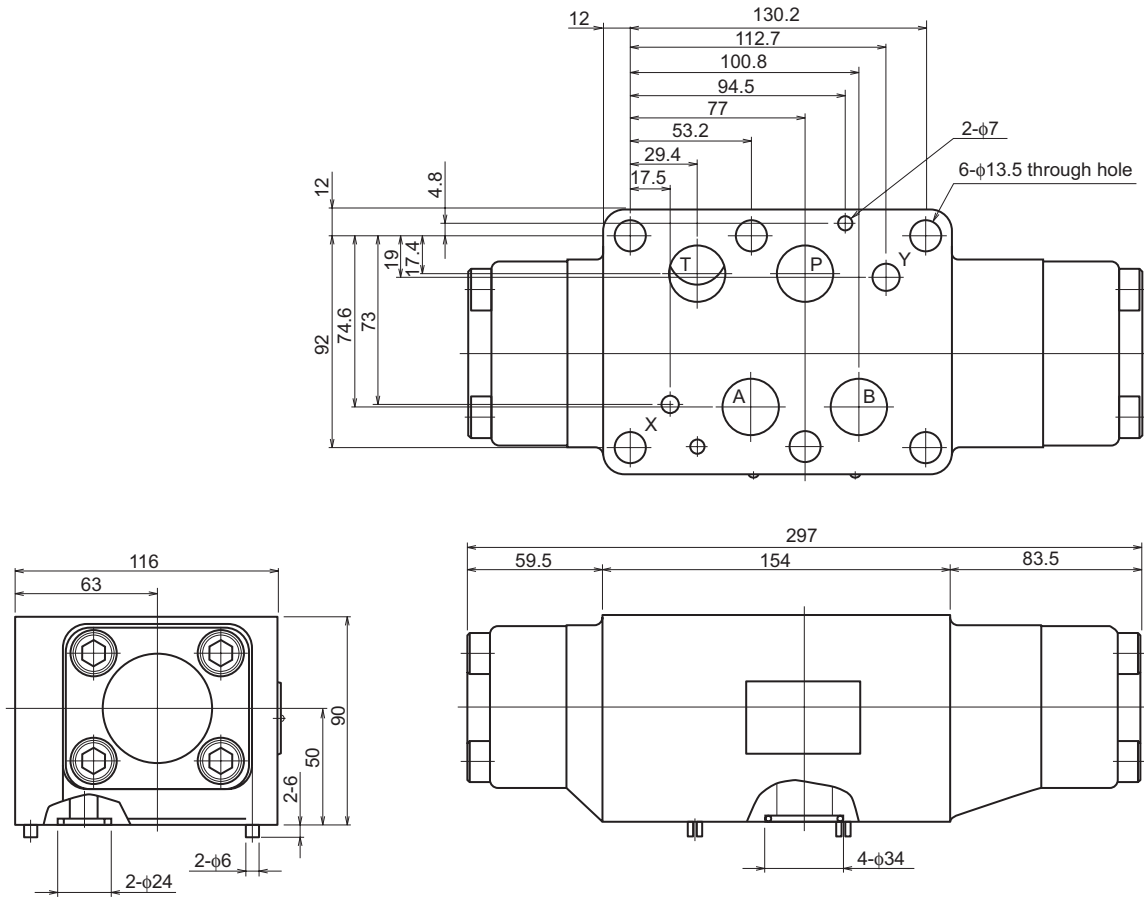
Internet

<https://www.daikinpmc.com/en/>

For latest information, PDF catalogs and operation manuals

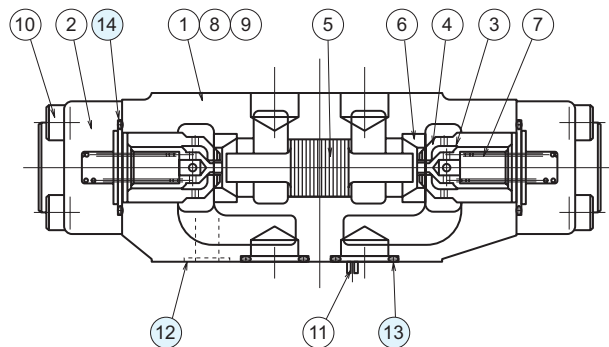
External dimension diagram

MPD-06W



Sectional structural diagram

MPD-06W



Sealing part table

Part No.	Name	Quantity	Part specifications
12	O-ring	2	JIS B 2401 1BP20
13	O-ring	4	JIS B 2401 1BP28
14	O-ring	2	JIS B 2401 1BP44