

Contact Details

Before using the product, please check the guide pages at the front of this catalog.

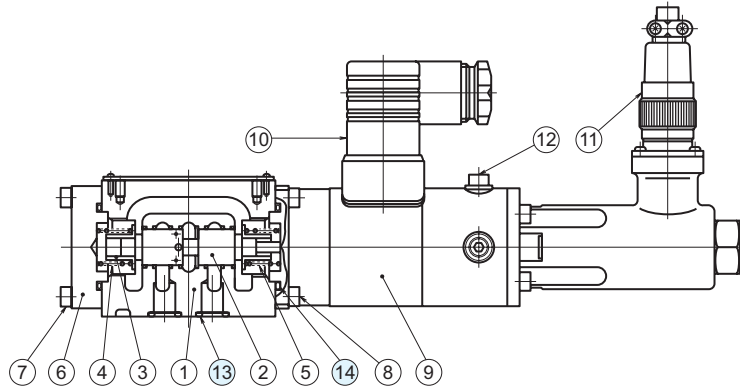
Internet

<https://www.daikinpmc.com/en/>

For latest information, PDF catalogs and operation manuals

Sectional structural diagram

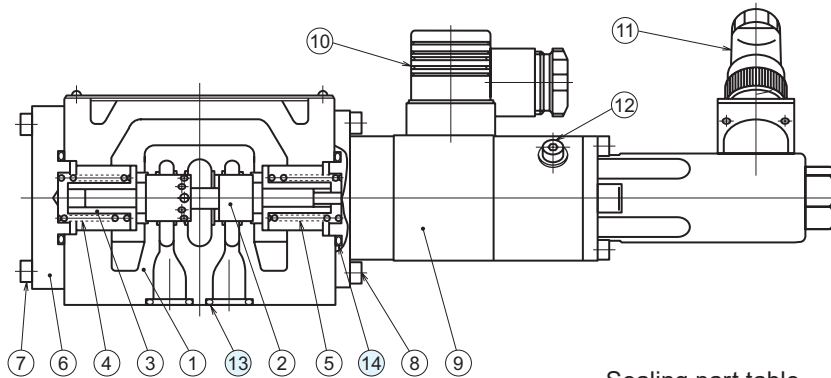
LEM-G02



Sealing part table

| Part No. | Name | Quantity | Part specifications |
|----------|--------|----------|-----------------------|
| 13 | O-ring | 4 | JIS B 2401 1B P9 |
| 14 | O-ring | 2 | AS568-121 (NBR, Hs90) |

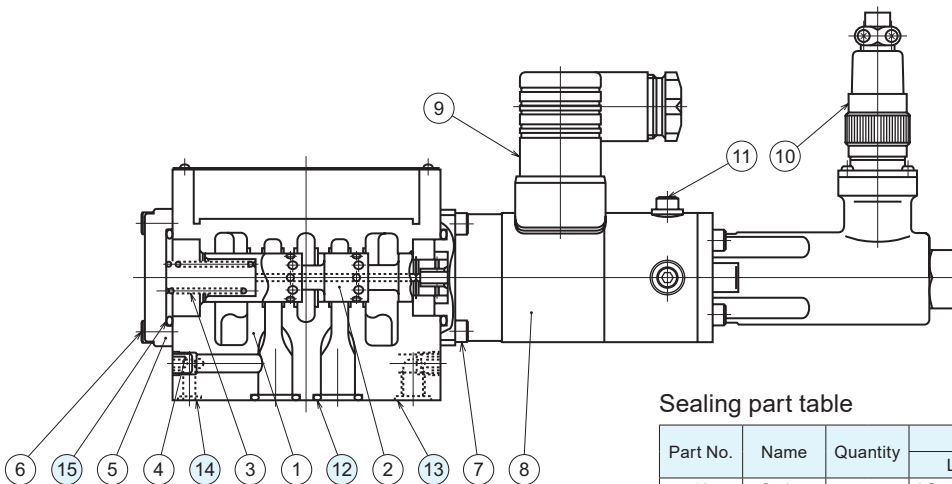
LEM-G03



Sealing part table

| Part No. | Name | Quantity | Part specifications |
|----------|--------|----------|-----------------------|
| 13 | O-ring | 5 | JIS B 2401 1B P12 |
| 14 | O-ring | 2 | AS568-121 (NBR, Hs90) |

LEMT-G03



Sealing part table

| Part No. | Name | Quantity | Part specifications | |
|----------|--------|----------|-----------------------|-----------------------|
| | | | LEMT-G03-F-20 | LEMT-G03-F-20-LX |
| 12 | O-ring | 5 | AS568-014 (NBR, Hs90) | AS568-014 (NBR, Hs90) |
| 13 | O-ring | 1 2 | JIS B 2401 1B P9 | JIS B 2401 1B P9 |
| 14 | O-ring | 1 | - | AS568-008 (NBR, Hs90) |
| 15 | O-ring | 2 | AS568-121 (NBR, Hs90) | AS568-121 (NBR, Hs90) |

Contact Details

Before using the product, please check the guide pages at the front of this catalog.

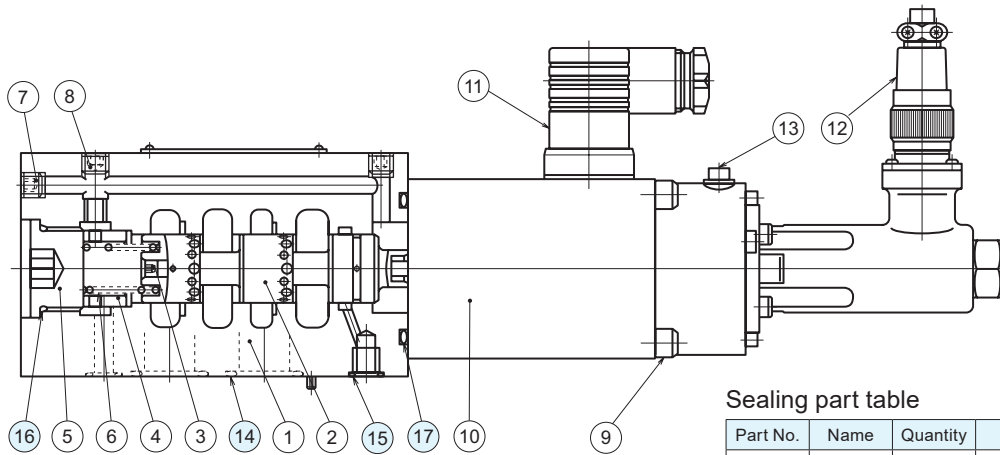
Internet

<https://www.daikinpmc.com/en/>

For latest information, PDF catalogs and operation manuals

Sectional structural diagram

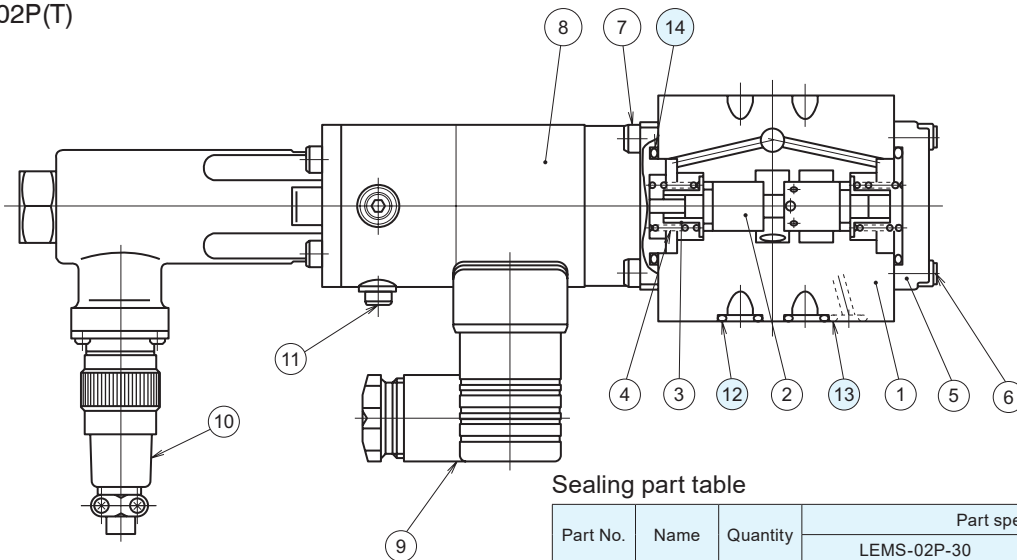
LEMT-G04



Sealing part table

| Part No. | Name | Quantity | Part specifications |
|----------|--------|----------|-----------------------|
| 14 | O-ring | 4 | JIS B 2401 1B P22 |
| 15 | O-ring | 2 | JIS B 2401 1B P9 |
| 16 | O-ring | 1 | AS568-021 (NBR, Hs90) |
| 17 | O-ring | 1 | JIS B 2401 1B P44 |

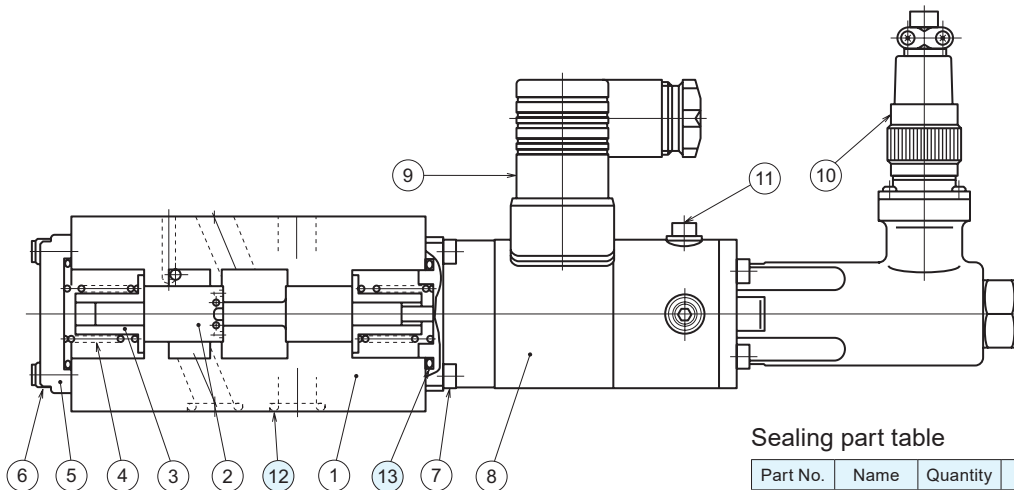
LEMS-02P(T)



Sealing part table

| Part No. | Name | Quantity | Part specifications | |
|----------|--------|----------|-----------------------|-----------------------|
| | | | LEMS-02P-30 | LEMS-02T-30 |
| 12 | O-ring | 4 | JIS B 2401 1B P9 | JIS B 2401 1B P9 |
| 13 | O-ring | 1 | JIS B 2401 1B P7 | - |
| 14 | O-ring | 2 | AS568-121 (NBR, Hs90) | AS568-121 (NBR, Hs90) |

LEMS-03T



Sealing part table

| Part No. | Name | Quantity | Part specifications |
|----------|--------|----------|-----------------------|
| 12 | O-ring | 5 | AS568-014 (NBR, Hs90) |
| 13 | O-ring | 2 | AS568-121 (NBR, Hs90) |