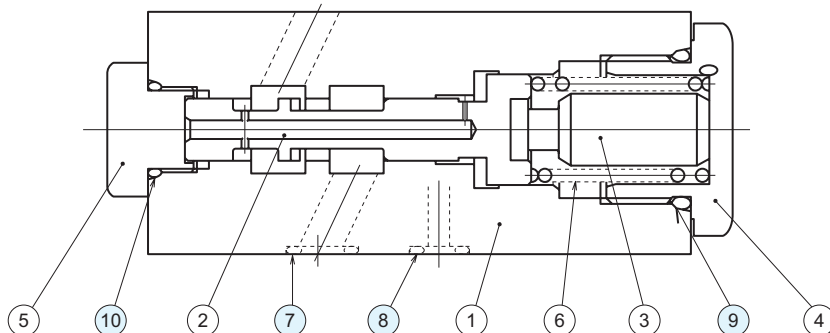


Sectional structural diagram

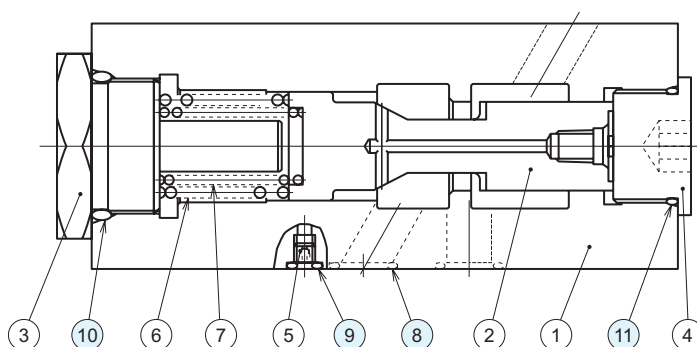
MGS-02*



Sealing part table

Part No.	Name	Quantity	Part specifications	
			MGS-02P-20	MGS-02T-20
7	O-ring	4	JIS B 2401 1B P9	JIS B 2401 1B P9
8	O-ring	1	-	JIS B 2401 1B P7
9	O-ring	1	JIS B 2401 1B P22	JIS B 2401 1B P22
10	O-ring	1	AS568-014 (NBR, Hs90)	AS568-014 (NBR, Hs90)

MGS-03T



Sealing part table

Part No.	Name	Quantity	Part specifications
8	O-ring	4	AS568-014 (NBR, Hs90)
9	O-ring	1	JIS B 2401 1B P5
10	O-ring	1	JIS B 2401 1B P28
11	O-ring	1	AS568-021 (NBR, Hs90)