

Contact Details

Before using the product, please check the guide pages at the front of this catalog.

Internet

<https://www.daikinpmc.com/en/>

For latest information, PDF catalogs and operation manuals

Open Loop Control Euro Card Type Driver



Features

- Optimize the control of open loop control type KSP valves.
- The constant current characteristics suppress the power supply voltage fluctuation, and the output current fluctuation due to temperature rise of the solenoid, to almost zero.
- The output current waveforms (dither frequency, amplitude) are set to optimize the hysteresis and resolution of solenoid operated proportional control valves.
- The PWM (pulse width modulation) control of electrical current minimizes heat generation by the driver.
- The response time adjustment function that smoothly changes output current in response to stepped changes in command inputs enables shockless change of hydraulic output. The response time can be adjusted independently for the rising and falling edges.

Nomenclature

EP ※ - ※※ - 10 - ※

1 2 3 4 5

1 Model No.

EP: Open loop control Euro card type driver

2 Solenoid code

D: For double solenoid
K: For single solenoid

3 Applicable control valve size

02: ¼
03: ⅜

4 Design No. (The design No. is subject to change)

5 Option code

No designation: With panel
N: Without panel

Specifications

Model code	EPK-02-10	EPD-03-10	EPK-03-10
Power supply voltage	DC 24 V (Capacity of 2 A minimum)		
Permissible voltage fluctuation	-10 to +10%		
Applied load	Proportional solenoid (DC 12 V)		
Command input	DC 0 to 5 V or DC 0 to 10 V	DC 0 to ± 5 V or DC 0 to ±10 V	DC 0 to 5 V or DC 0 to 10 V
Output current	0 to 1600 mA	0 to 1800 mA	
Power consumption	50 VA maximum		
Input impedance	Approx. 15 kΩ	Approx. 30 kΩ	Approx. 15 kΩ
Dither	Factory adjusted		
Response time adjustment range	0.1 to 2 seconds (at maximum output)		
Operating ambient temperature	0 to 50°C		
Operating ambient humidity	20 to 90%RH		
Vibration resistance	(1 G (9.8 m/sec ²), Frequency: 11.7 to 100 Hz, 1 cycle: 15 minutes, 3 directions: 2h each)		
Mass	Approx. 0.5 kg		

Contact Details

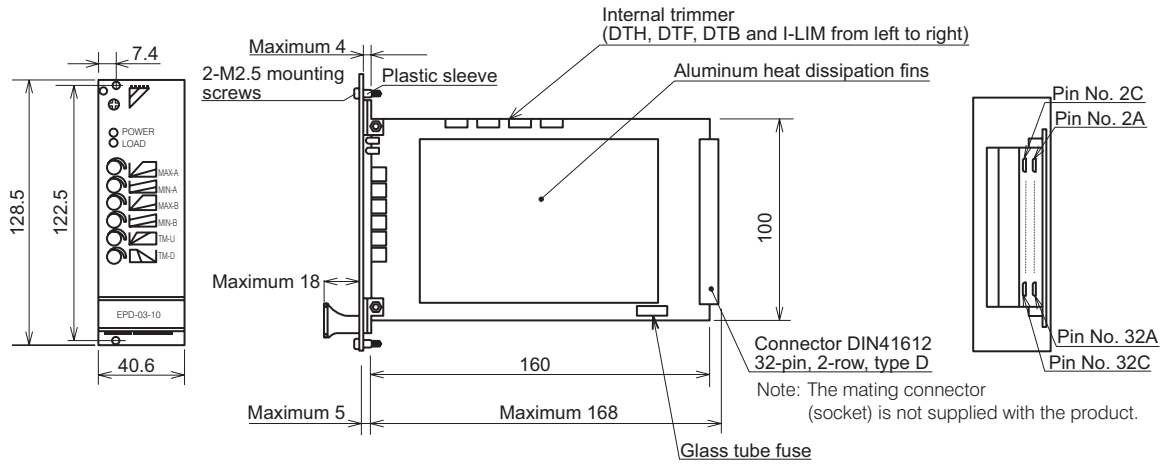
Before using the product, please check the guide pages at the front of this catalog.

Internet

<https://www.daikinpmc.com/en/>

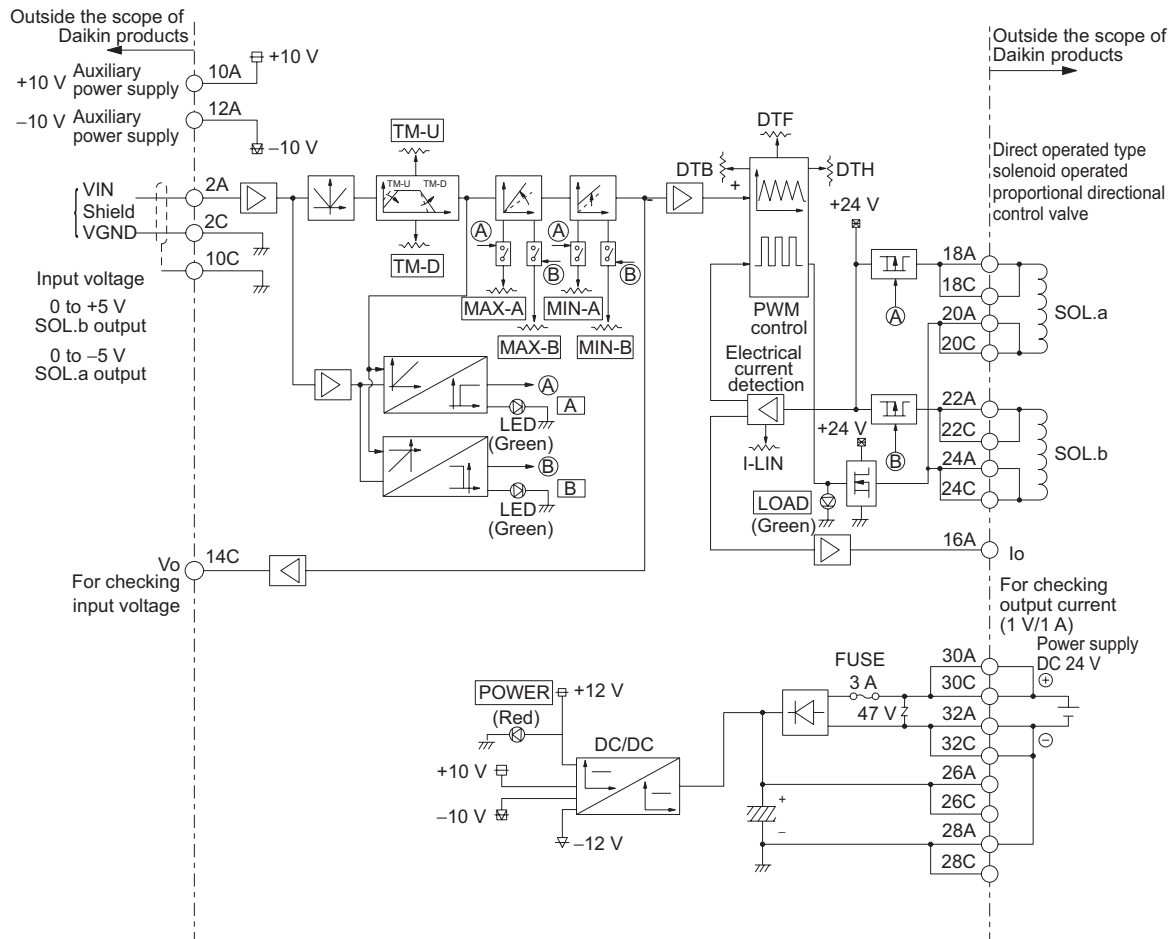
For latest information, PDF catalogs and operation manuals

External dimension diagram



Circuit configuration diagram

EPD-03-10



Contact Details

Before using the product, please check the guide pages at the front of this catalog.

Internet

<https://www.daikinpmc.com/en/>

For latest information, PDF catalogs and operation manuals

Circuit configuration diagram

EPK-※※-10

