

Contact Details

Before using the product, please check the guide pages at the front of this catalog.

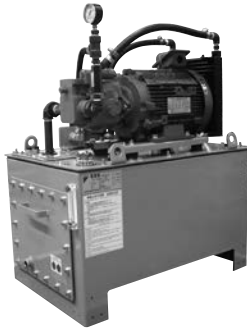
Internet

<https://www.daikinpmc.com/en/>

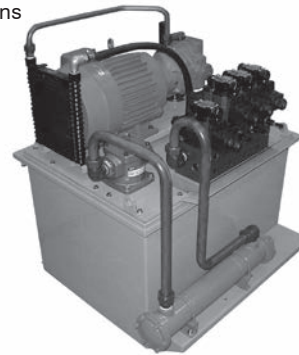
For latest information, PDF catalogs and operation manuals

NT Series SSS MARK-II

Base unit



Unit with all options



Features

● Extensive variations

A wide range of control functions and other options such as fluid level switches, temperature switches and water coolers, is available in an easy-to-install modular format.

The energy-saving performance of the V series pump can be further enhanced by adding the optional feathering pump control.

● Low oil temperature rise

All models are equipped with an oil cooler as standard. Maintaining the fluid at a low temperature gives it a long service life.

● Space saving

The compact design has reduced the footprint to 70 to 74% of the conventional models.

The design of the mounting holes has allowance in all directions and the tank top plate can be mounted in the 180° opposite direction.

● Low noise

All models are equipped with vibration-absorbing rubber pads as standard.

● Control valves installable

Options enabling installation of a control valves are available (-ABT***).

Nomenclature

NT ** M ** N ** - 20 - ABT * **

1 2 3 4 5 6 7 8 9 10

1 Model No.

NT: SSS MARK-II

2 Tank capacity

06: 60 L 10: 100 L 16: 160 L

3 Pump type

M: Motor pump (V pump)

4 Pump capacity

15: 14.8 cm³/rev

23: 23.0 cm³/rev

38: 37.7 cm³/rev

5 Unit type

N: Tank top plate type

6 Motor capacity

15: 1.5 kW, 4-pole

22: 2.2 kW, 4-pole

37: 3.7 kW, 4-pole

55: 5.5 kW, 4-pole

75: 7.5 kW, 4-pole

7 Design No.

The design number was changed to 20 due to the motor high efficiency restrictions that took effect in April 2015.

8 Manifold block

No designation: Without manifold block

ABT: With manifold block

9 Number of series

No designation: None (not installed)

2: 2-series

4: 4-series

10 Solenoid valve size

No designation: None (not installed)

02: 02 size

03: 03 size

Refer to Page A-8 for details of V series piston pumps incorporated into these units.

Series table

	Pump capacity	15 (14.8 cm ³ /rev)			23 (23.0 cm ³ /rev)		38 (37.7 cm ³ /rev)	
	Motor capacity	1.5 kW	2.2 kW	3.7 kW	3.7 kW	5.5 kW	5.5 kW	7.5 kW
Tank capacity	60 L	✓	✓	✓				
	100 L		✓	✓	✓	✓		
	160 L				✓	✓	✓	✓

Contact Details

Before using the product, please check the guide pages at the front of this catalog.

Internet

<https://www.daikinpmc.com/en/>

For latest information, PDF catalogs and operation manuals

Specifications

	Pump discharge rate L/min at 50/60 Hz (1.0 MPa)	Tank capacity L	Motor capacity Output kW (Number of poles: 4)	Mass kg	Rated pressure MPa {kgf/cm ² }	Maximum operating pressure MPa {kgf/cm ² }		
NT06M15N15-20	20/25	60	1.5	110	14.0 {140}	21.0 {210}		
NT06M15N22-20			2.2	118				
NT06M15N37-20			3.7	130				
NT10M15N22-20	33/40	100	2.2	128				
NT10M15N37-20			3.7	140				
NT10M23N37-20			5.5	150				
NT10M23N55-20			3.7	170				
NT16M23N37-20			55/66	160			5.5	195
NT16M23N55-20							7.5	200
NT16M38N55-20	7.5	210						
NT16M38N75-20								

Note: Rated pressure:

Pressure at which the maximum load does not exceed 175% of the rated capacity of the motor with the pump discharge rate set to minimum

Maintain the average shaft input of the motor at no greater than 100%.

Maximum operating pressure:

Pressure at which the motor can be started with the pump discharge rate set to minimum

Maintain the maximum load at no greater than 160% (15 seconds) and average shaft input at no greater than 100%.

With the standard specifications, the pressure is set to 3.5 MPa and the flow rate is set to the maximum discharge rate at shipment.

Motors for AC 200 V at 50/60 Hz and for AC 220 V at 60 Hz are used as standard.

Consult DAIKIN for different voltages [380 V (50 Hz), 400 V (50/60 Hz), 415 V (50 Hz), 440 V (60 Hz), 460 V (60 Hz)]

- The models with the following model codes that incorporate a manifold are available as a product series. Since a manifold block is preinstalled, solenoid valves and modular stack valves can be mounted easily. The manifold blocks are fitted with blocking blocks (BS-※※). Remove them when mounting solenoid valves and modular stack valves.

Standard model code	Option code	Number of series	Solenoid valve size	Option code	Number of series	Solenoid valve size	Option code	Number of series	Solenoid valve size	Option code	Number of series	Solenoid valve size
NT06M15N15-20	-ABT202	2	02	-ABT402	4	02		—			—	
NT06M15N22-20	-ABT202	2	02	-ABT402	4	02		—			—	
NT06M15N37-20	-ABT202	2	02	-ABT402	4	02		—			—	
NT10M15N22-20	-ABT202	2	02	-ABT402	4	02		—			—	
NT10M15N37-20	-ABT202	2	02	-ABT402	4	02		—			—	
NT10M23N37-20	-ABT202	2	02	-ABT402	4	02	-ABT203	2	03	-ABT403	4	03
NT10M23N55-20	-ABT202	2	02	-ABT402	4	02	-ABT203	2	03	-ABT403	4	03
NT16M23N37-20	-ABT202	2	02	-ABT402	4	02	-ABT203	2	03	-ABT403	4	03
NT16M23N55-20	-ABT202	2	02	-ABT402	4	02	-ABT203	2	03	-ABT403	4	03
NT16M38N55-20	-ABT202	2	02	-ABT402	4	02	-ABT203	2	03	-ABT403	4	03
NT16M38N75-20	-ABT202	2	02	-ABT402	4	02	-ABT203	2	03	-ABT403	4	03

UNIT EQUIPMENT Z

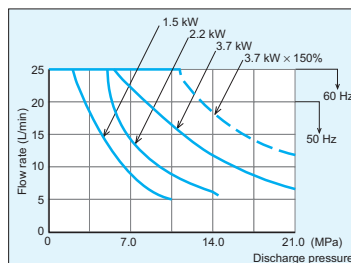
Paint color

JMPA code Y59-60H (Munsell code 10BG6/4) Blue-green colors Motors, pumps, and purchased parts are in the standard colors of the manufacturers.

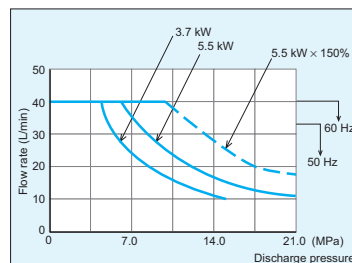
Tank: Baking finish

Quick-reference charts for motor selection

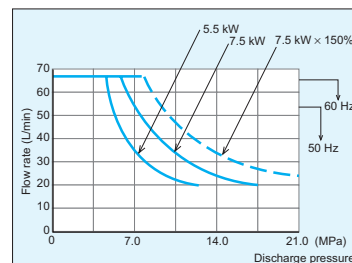
Motor capacity (M15-1.5/2.2/3.7 kW)



Motor capacity (M23-3.7/5.5 kW)



Motor capacity (M38-5.5/7.5 kW)



Handling

● Hydraulic fluid, ambient environment

- Use a petroleum-based hydraulic fluid equivalent to ISO VG32 to 46.
For pressures higher than 7 MPa use wear-resistant hydraulic fluid.
Use of hydraulic fluids other than the petroleum-based type (e.g. hydrous/synthetic) is prohibited.
- Operate the unit in an environment where both the following conditions are satisfied: viscosity range from 15 to 400 mm²/s and oil temperature from 0 to 60°C.
- Be sure to maintain the water content in the hydraulic fluid at 0.1% maximum by volume.
- Contamination of the hydraulic fluid causes device trouble and reduces the service life, so pay due attention to controlling contamination and ensure that it goes no higher than NAS contamination class 9. (NAS contamination class 10 is permitted for operating pressures of 7 MPa or lower.)
- Use the unit indoors under the following conditions.
Ambient temperature: 0 to 35°C, Ambient humidity: 20 to 90%RH (with no condensation)
If using the unit where there is a lot of dust or oil mist, clean it periodically by applying compressed air or by other means since the oil cooler is prone to clogging in such environments.

● At start

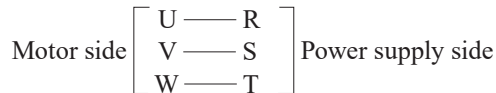
- Fill the pump case with hydraulic fluid through the filler port before starting trial operation, after replacing the pump, or after stopping the unit for 6 months or longer. Use the same hydraulic fluid as for the hydraulic circuit.

	NT××M15	NT××M23	NT××M38
Pump case capacity cm ³	500	500	900

- After checking that all hydraulic circuits and electrical circuits are ready for operation, set the hydraulic circuit at the load side in the no-load status or connect an unloading circuit before starting the pump.
When the pump is driven for the first time, turn the power switch to the motor on and off a few times to let the air out of the piping and then run it continuously at full speed. A roaring noise may be observed until the air has been completely removed but this is not abnormal.
- Check that the pressure rises at the pressure gauge.

● Electric wiring

- Connect the power cable such that the phases at the pump motor and power supply sides are as shown below.



Check that the pressure rises at the pressure gauge.

If the motor rotates in the reverse direction, switch the connection between two phases among the three to correct the direction of rotation.

- Be sure to connect the ground terminal.
- Install a no-fuse breaker and an earth leakage breaker on the main power supply.
The electrical ratings are as shown in the table to the right.
- These are premium efficiency products and therefore they tend to have a higher current value than products with the previous design. Pay attention to the design of the power distribution when replacing products of the previous design.

<Motor rating table (rated current)>

Permissible voltage fluctuation: ±10%

Motor capacity Output kW (Number of poles: 4P)	Rated current (A)			Starting current (A)		
	AC 200 V (50 Hz)	AC 200 V (60 Hz)	AC 220 V (60 Hz)	AC 200 V (50 Hz)	AC 200 V (60 Hz)	AC 220 V (60 Hz)
1.5	6.8	6.4	6.0	46.6	41.0	45.1
2.2	10.6	9.4	9.2	96.0	81.0	89.1
3.7	15.6	14.6	13.8	134.0	118.0	130.0
5.5	23.4	21.4	20.6	200.0	166.0	183.0
7.5	30.8	28.6	27.4	264.0	218.0	240.0

● Transportation

- When transporting or hoisting the unit, use the hoisting hooks (φ25 holes at 4 locations) or a fork lift truck.
- When using a fork lift truck, take due care to ensure that it will not topple over because an appropriate fork span cannot be secured.

● Installation

- The unit is a stationary type. Fix it on a level location that is free of vibration.
- Mount the foundation plates (4 pcs.) provided as accessories at appropriate positions according to the installation conditions. (8 mounting positions provided)

Contact Details

Before using the product, please check the guide pages at the front of this catalog.

Internet

<https://www.daikinpmc.com/en/>

For latest information, PDF catalogs and operation manuals

External dimension diagram

NT**M**N**-20

Wiring method:

Terminal block connection
(According to table at right)

(DR1) Rc $\frac{3}{4}$

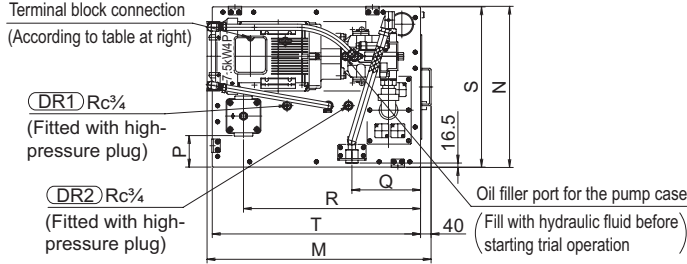
(Fitted with high-pressure plug)

(DR2) Rc $\frac{3}{4}$

(Fitted with high-pressure plug)

(T)

(with low-pressure plug)



Oil filler port for the pump case
(Fill with hydraulic fluid before starting trial operation)

Bolt for fastening during transportation × 2

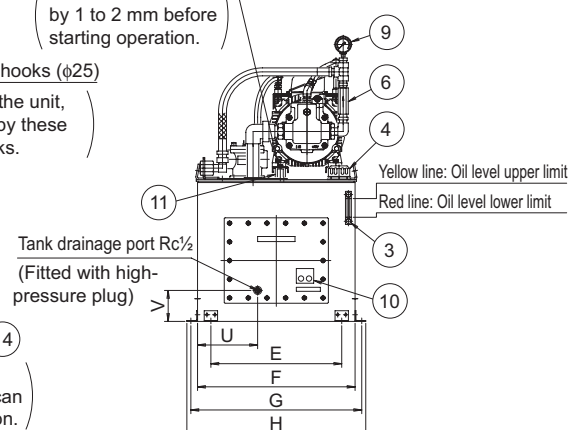
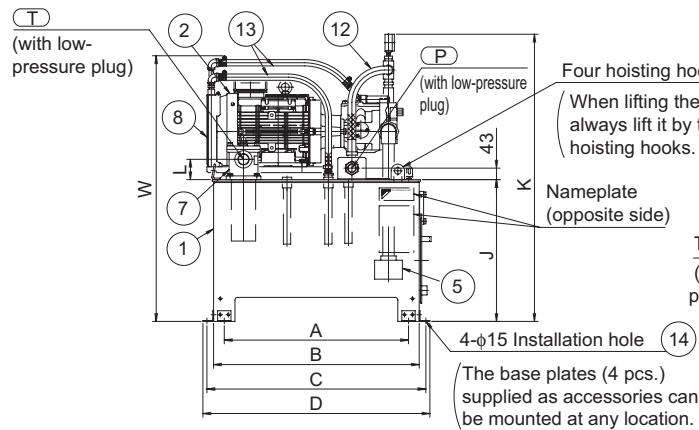
(Be sure to loosen it by 1 to 2 mm before starting operation.)

Four hoisting hooks (φ25)
(When lifting the unit, always lift it by these hoisting hooks.)

Nameplate (opposite side)

4-φ15 Installation hole (14)
(The base plates (4 pcs.) supplied as accessories can be mounted at any location.)

Motor capacity	Terminal block size	
	U, V, W	E: Earth
1.5 kW to 3.7 kW	M4	M5
5.5 kW to 7.5 kW	M5	M6

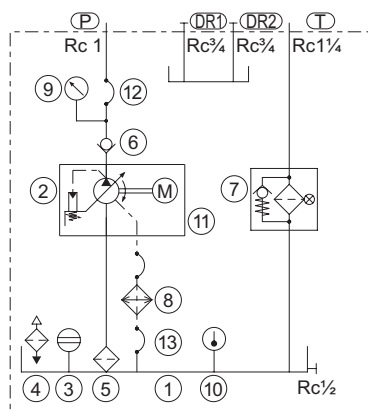


* Dimensions A, C, D, E, G and H are the dimensions when mounting the base plate.

Model	Motor	Wiring port	A	B	C	D	E	F	G	H	J	K	L	M	N	P	Q	R	S	T	U	V	W
NT06M15N15-20	1.5kW-4P	φ27	500	580	630	660	340	440	490	520	411	852	53	647	454	70	217	505	450	590	135	116	841
NT06M15N22-20	2.2kW-4P		500	580	630	660	340	440	490	520	411	862	53	647	454	70	217	505	450	590	135	116	821
NT06M15N37-20	3.7kW-4P		500	580	630	660	340	440	490	520	411	874	53	662	454	70	217	505	450	590	135	116	821
NT10M15N22-20	2.2kW-4P		650	730	780	810	390	490	540	570	461	912	53	782	504	70	262	636	500	740	175	116	871
NT10M15N37-20	3.7kW-4P		650	730	780	810	390	490	540	570	461	924	53	782	504	70	262	636	500	740	175	116	871
NT10M23N37-20			650	730	780	810	390	490	540	570	461	986	53	782	504	70	262	636	500	740	175	116	887
NT10M23N55-20	5.5kW-4P	φ35	650	730	780	810	390	490	540	570	461	1006	53	782	504	70	262	636	500	740	175	116	925
NT16M23N37-20	3.7kW-4P	φ27	690	770	820	850	490	590	640	670	531	1056	76	822	604	116	257	663	600	780	225	116	957
NT16M23N55-20	5.5kW-4P	φ35	690	770	820	850	490	590	640	670	531	1076	76	822	604	116	257	663	600	780	225	116	995
NT16M38N55-20			690	770	820	850	490	590	640	670	531	1076	76	840	604	116	257	663	600	780	225	116	995
NT16M38N75-20			7.5kW-4P	690	770	820	850	490	590	640	670	531	1076	76	840	604	116	257	663	600	780	225	116

Model	Port P	Port T
NT06M15N15-20	Rc $\frac{1}{2}$	Rc $\frac{3}{4}$
NT06M15N22-20		
NT06M15N37-20		
NT10M15N22-20	Rc $\frac{1}{2}$	Rc $\frac{3}{4}$
NT10M15N37-20		
NT10M23N37-20	Rc $\frac{3}{4}$	Rc $\frac{3}{4}$
NT10M23N55-20		
NT16M23N37-20		
NT16M23N55-20	Rc $\frac{3}{4}$	Rc1- $\frac{1}{4}$
NT16M38N55-20		
NT16M38N75-20	Rc1	Rc1- $\frac{1}{4}$

Hydraulic circuit diagram



Devices used

Part No.	Name	Part No.	Name
1	Oil tank	8	Oil cooler
2	Motor pump	9	Pressure gauge
3	Oil level gauge	10	Thermo label
4	Oil filler port with air breather	11	Vibration-absorbing rubber
5	Suction strainer	12	High-pressure hose
6	Inline check valve	13	Low-pressure hose
7	Return filter	14	Foundation plate

Contact Details

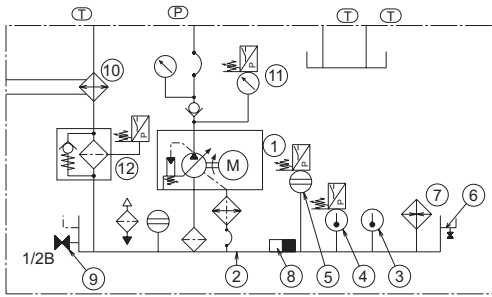
Before using the product, please check the guide pages at the front of this catalog.

Internet

<https://www.daikinpmc.com/en/>

For latest information, PDF catalogs and operation manuals

Power unit options



- * When selecting an option, enter a circle or the required quantity in the option selection table and submit it when placing the order.
- * The codes in the circuit diagram correspond to those in the table below.

Overview of options

Code	Item	Description
① (1)	Pump control method	Pressure <ul style="list-style-type: none"> ● Sharp cutoff characteristics are achieved. ● The pressure and flow rate can be adjusted as necessary.
① (2)		Pressure feedback method combination control <ul style="list-style-type: none"> ● The operation mode can be switched between high-pressure low-quantity and low-pressure high-quantity with a single pump by pressure feedback method.
① (3)		Solenoid operated method combination control <ul style="list-style-type: none"> ● The control shown to the right can be performed by switching the solenoid valve incorporated in the pump.
① (4)		Feathering pump control <ul style="list-style-type: none"> ● Sets the high-pressure cutoff characteristics of the pump to feathering status (extremely low pressure). <p>This function is effective for saving energy while the machine is at stand-by.</p>
②	Tank	Manufacture water fill test can be performed as an option. Consult DAIKIN if it is necessary to comply with the Fire Service Act since the parts to be used will differ.
③	Thermometer	Enables visual monitoring of the fluid temperature. (0 to 100°C, φ40)
④	Temperature switch	For fluid temperature upper limit alarm: Outputs an alarm when 65°C is exceeded. For heater control: Stops the heater when 20°C is exceeded.
⑤	Fluid level switch	For fluid level lower limit detection: Detects insufficient level of fluid. For fluid level upper limit detection: Detects excessive level of fluid to prevent overflow.
⑥	Oil pan	Accumulates fluid so that it will not spill over the floor. Environmentally friendly option.
⑦	Electric heater	<ul style="list-style-type: none"> ● Used in an environment where the unit may be started at a low temperature (0°C or lower) such as in cold regions. The heater is equipped with a dry operation prevention sensor. ● Warm-up operation of the unit increases the temperature by approximately 5°C/hr, and it is advisable to stop the heater when the temperature reaches a certain level using the heater control temperature switch. (Heater capacity: 1 kW)
⑧	Magnet contaminant separator	<ul style="list-style-type: none"> ● Used to remove fine metal chips and contaminant contained in hydraulic fluid when hydraulic fluid contamination level needs to be controlled. (To be mounted/removed through the cleaning port) ● Installing 1 pc for 60 to 100 L tank and 2 pcs for 160 L
⑨	Tank drain valve	Used to facilitate oil replacement by arranging a ball valve (JIS 1/2B) at the drain port of the fluid tank. The port is plugged as standard.
⑩	Water cooler	<ul style="list-style-type: none"> ● Used to cool fluid when the fluid in the tank reaches a high temperature. ● To determine whether a cooler is necessary or not, see the quick-reference chart provided in the SSS MARK-II brochure. ● For details of cooling capacities, see the information on LT coolers. ● Fluid temperature can be controlled using the optional temperature control water valve.
⑪	Pressure switch	<ul style="list-style-type: none"> ● Used for detecting a main pressure drop. ● Standard setting at shipment: Open at 2.0 MPa or lower. There are two types of switches, mechanical and electronic.
⑫	Return filter electric alarm switch	● Used for the filter clogging alarm. Provided with C type contact.
13	Unit orientation	● Only the tank top plate can be mounted in the 180° reversed orientation (even after the delivery of the unit).
14	Terminal box	<ul style="list-style-type: none"> ● A terminal box that can be mounted on the unit, with a size of 300 mm × 200 mm × 105 mm (W × H × D). ● No terminal block is supplied with the terminal box. One DIN rail is attached.
15	Electric wiring	<ul style="list-style-type: none"> ● Wiring from electrical control devices to the terminal box. ● Up to 30 pins supported. A rail type terminal block with TDT touch-down structure is used. A 2-row type terminal block is used when more than 15 pins are required. ● VCT cables are used with M3 round crimp-style terminals. Note that the wiring for the motor and electric heater needs to be directly connected to their terminal boxes. ● No wiring port is provided for wiring by the user. ● Note that the terminal numbers are predetermined.
16	Specified color	<ul style="list-style-type: none"> ● Recoating with epoxy-based paint. The pressure gauge and hoses are masked, and also the cables, if there are any. ● Standard color: JMPA code Y59-60H (Munsell code 10BG6/4) When using specified colors, specify the JMPA code.

Contact Details

Before using the product, please check the guide pages at the front of this catalog.

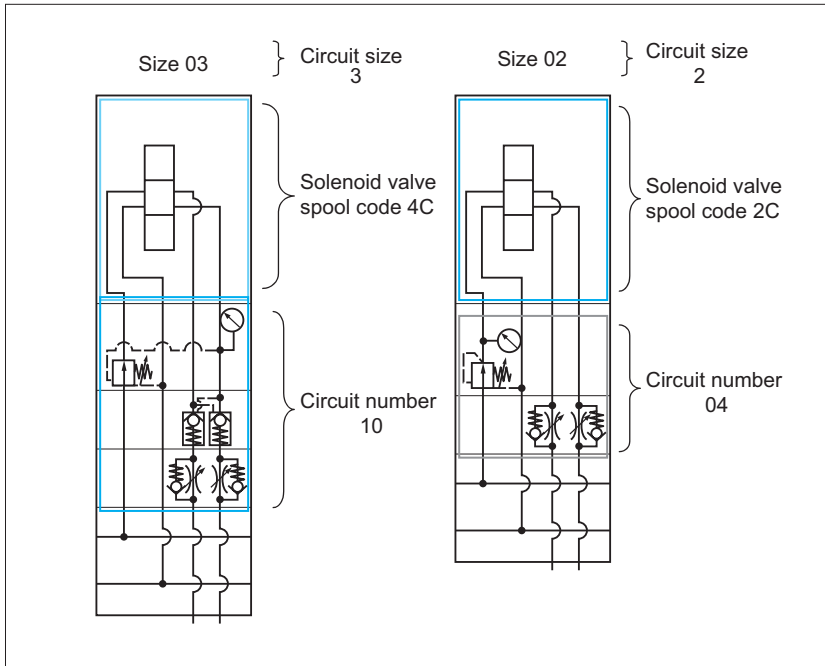
Internet

<https://www.daikinpmc.com/en/>

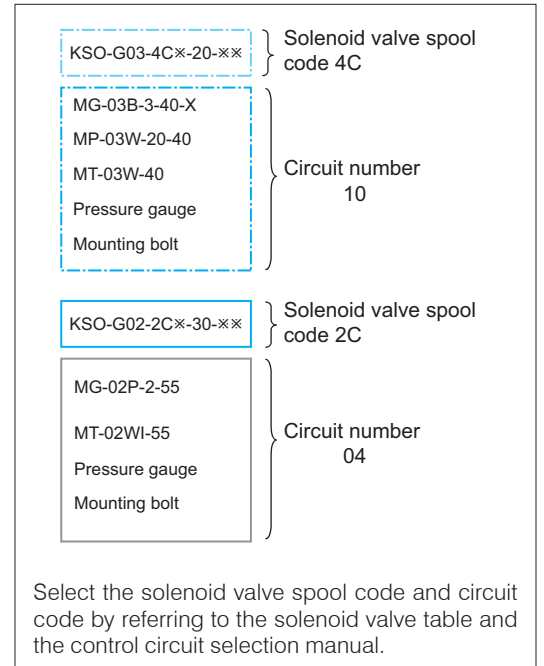
For latest information, PDF catalogs and operation manuals

List of control circuits/solenoid valves

● Control circuit expressions



● Component parts



Select the solenoid valve spool code and circuit code by referring to the solenoid valve table and the control circuit selection manual.

● Solenoid valve table

Category	Solenoid valve spool code	Graphic symbol	Model	Category	Solenoid valve spool code	Graphic symbol	Model
All ports blocked at center position (closed center)	2C*		KSO-G02-2C*-30-EN KSO-G03-2C*-20-EN	Ports A/B/T open (port P blocked) at center position Ports A/B throttled at center position	44C*		KSO-G02-44C*-30-EN KSO-G03-44C*-20-EN
Spring offset (P → A, B → T)	2B*		KSO-G02-2B*-30-EN KSO-G03-2B*-20-EN	Ports P/T open at center position (tandem center)	66C*		KSO-G02-66C*-30-EN KSO-G03-66C*-20-EN
No-spring type (with detent)	2D*		KSO-G02-2D*-30-EN KSO-G03-2D*-20-EN	Spring offset (P → B, A → T)	2A*		KSO-G02-2A*-30-EN KSO-G03-2A*-20-EN
Ports A/B/T open (port P blocked) at center position	4C*		KSO-G02-4C*-30-EN KSO-G03-4C*-20-EN				

● General solenoid valve model code

KSO - **G***-* - *-* - *-* - **EN**

1
2
3
4

1 Solenoid valve size 02: size 02, 03: size 03

2 Voltage code A: AC 100 V, B: AC 200 V, P: DC 24 V

3 Design No.

4 CE specifications, with surge killer

Note that AC 200 V specifications do not comply with CE specifications.

Contact Details

Before using the product, please check the guide pages at the front of this catalog.

Internet

<https://www.daikinpmc.com/en/>

For latest information, PDF catalogs and operation manuals

Option selection table

Item	Description						
Pump control	Pressure compensator control	Pressure feedback method combination control	Solenoid operated method combination control	With feathering			
				Pressure compensator control	Pressure feedback method combination control	Solenoid operated method combination control	
	A	B	C	D	E	F	
Pressure at 50/60 Hz	[] MPa	High-pressure side [] MPa Low-pressure side [] MPa		[] MPa	High-pressure side [] MPa Low-pressure side [] MPa		
	Standard Setting [3.5] MPa	High-pressure side [7.0] MPa Low-pressure side [3.5] MPa		[3.5] MPa	High-pressure side [7.0] MPa Low-pressure side [3.5] MPa		
Flow rate at 50/60 Hz	[/] L/min	High-quantity side [/] L/min Low-quantity side [/] L/min		[/] L/min	High-quantity side [/] L/min Low-quantity side [/] L/min		
		High-quantity side: Same as for pressure compensator			High-quantity side: Same as for pressure compensator		
	Standard Setting	Low-quantity side	×M15× 3 L/min at 60 Hz	Low-quantity side	×M15× 3 L/min at 60 Hz		
			×M23× 6 L/min at 60 Hz		×M23× 6 L/min at 60 Hz		
		×M38× 10 L/min at 60 Hz		×M38× 10 L/min at 60 Hz			
Motor power supply	N: Standard AC 200/220 V			380 V (50 Hz), 400 V (50/60 Hz), 415 V (50 Hz), 440 V (60 Hz), 460 V (60 Hz)			
Tank specifications	N: Standard (3.2 mm wall thickness, top plate construction)			A: Autonomous water fill test tank			
Thermometer	N: Not featured			A: Featured (0 to 100°C, φ40)			
Temperature switch (Up to 3 including fluid level switches)	N: Not featured	A: Open at 65°C or higher (for alarm)			E: A + C		
		B: Closed at 65°C or higher (for alarm)			F: A + D		
		C: Open at 20°C or higher (for heater control)			G: B + C		
		D: Closed at 20°C or higher (for heater control)			H: B + D		
		Note: Differential: 5 to 8°C for A/C, 3 to 6°C for B/D					
Fluid level switch (Up to 3 including temperature switches)	N: Not featured	A: Open at lower limit or lower (for alarm)			E: A + C		
		B: Closed at lower limit or lower (for alarm)			F: A + D		
		C: Open at upper limit or higher (for alarm)			G: B + C		
		D: Closed at upper limit or higher (for alarm)			H: B + D		
Oil pan	N: Not featured			A: Featured			
Electric heater 1 kW	N: Not featured	A: For AC 200 V		B: For AC 220 V		C: For AC 400 V	
		D: For AC 440 V					
Note: Not possible to install together with a temperature actuated water regulating valve							
Magnet contaminant separator	N: Not featured			A: Featured (Installing 1 unit for a 60/100 L tank and 2 units for 160 L)			
Tank drain valve	N: Not featured			A: Featured (1/2B globe valve)			
Water cooler	N: Not featured	60 L tank		A: LT0403A-10	B: LT0504A-10		
		100/160 L tank		C: LT0504A-10	D: LT0707A-10		
Water cooler piping	N: Not featured			A: Featured When installed with control valves, this option covers the piping between the manifold and water cooler and between the water cooler and return filter. When not installed with control valves, the piping between the water cooler and return filter is covered by this option but the return piping from the machine needs to be directly connected to the water cooler by the customer.			
Temperature actuated water regulating valve	N: Not featured	A: Featured	60 L tank: OWR-5004G		Manufacturer: Saginomiya Seisakusho, Inc. Valve starts opening at 40°C.		
			100/160 L tank: OWR-5006G				
Return filter clog detection switch	N: Not featured	A: Featured (Open when clogged)					
		B: Featured (Closed when clogged)					
Unit orientation	N: Standard			A: Reverse assembly			
Pressure switch	N: Not featured	A: Open at 2 MPa or lower			● Mechanical switch Manufacturer: ACT Electric Industry Co., Ltd. CE16 ● Electronic switch Manufacturer: WIKA PSD-4 (PNP)		
		B: Closed at 2 MPa or lower					
Terminal box	N: Not featured			A: Featured A terminal box that can be mounted on the unit, with a size of 300 mm × 200 mm × 105 mm (W × H × D). No terminal block is supplied with the terminal box. One DIN rail row is attached. When selecting the wiring option, select "N: Not featured" for this option.			
Electric wiring	N: Not featured			A: Featured This option covers the wiring from electrical control devices to the terminal box. The wiring of the motor is not covered. Note that the terminal numbers are predetermined. Connections are made on the terminal block with M3 terminals (with 2 spare pins) using VCT cables. No wiring port is provided for wiring by the user because the port is a part of the work to be carried out by the user.			
Specified color	N: Standard			A: Special color (Only recoating possible: with epoxy-based paint) Only the pressure gauge, hoses, and parts purchased are masked. JMPA code [] or Munsell code [] Baking finish is applied to the standard tank. Paint color: JMPA code Y59-60H (Munsell code 10BG6/4)			

Other requests will be handled as design-to-order cases.

Contact Details

Before using the product, please check the guide pages at the front of this catalog.

Internet

<https://www.daikinpmc.com/en/>

For latest information, PDF catalogs and operation manuals

Control circuit selection table

× Series order	6th series	5th series	4th series	3rd series	2nd series	1st series
Size	02 -	02 03	02 03	02 03	02 03	02 03
Solenoid valve spool code	Select one from the solenoid valve table.					
Circuit code	Select one from the circuit codes given in the table below.					
Solenoid valve voltage	AC 100/100/110 V, 50/60/60 Hz AC 200/200/220 V, 50/60/60 Hz DC 24 V					

Note: With ground terminal and surge killer (CE compliant models)
Note that only the models with voltage codes A and P are CE compliant.

Name	Meter-in throttle	Meter-out throttle	Meter-out position holding	Meter-in port P pressure reducing	Meter-out port P pressure reducing	Meter-in port B pressure reducing	Meter-out port B pressure reducing	Meter-in back pressure	Meter-out position holding port B pressure reducing	Meter-out position holding port P pressure reducing	Meter-in PC flow control
Circuit code	01	02	03	04	05	06	07	08	09	10	11
Standard control circuit											
Notes on circuit operation	<ul style="list-style-type: none"> Applicable only to positive load Not applicable to negative load or inertial load. Not applicable to very low speed (no slower than 1 m/min) Leakage at directional control valve at the center position. 	<ul style="list-style-type: none"> Applicable to both positive and negative load Care required about boost pressure with negative load. Leakage at directional control valve at the center position. Brake valves, etc. to be considered with inertial load. 	<ul style="list-style-type: none"> Used when the position needs to be held. Care required about boost pressure with negative load. 	<ul style="list-style-type: none"> Used to lower the pressure in the series. Not applicable to negative load. 	<ul style="list-style-type: none"> Used to lower the pressure in the series. 	<ul style="list-style-type: none"> Used to achieve variable thrust, such as for clamping pressure. Not applicable to negative load. To be meter-out control with negative load. 	<ul style="list-style-type: none"> Used to achieve variable thrust with negative load while adjusting roll-separating force, etc. Not applicable when the position needs to be held. 	<ul style="list-style-type: none"> Used when boost occurs in the meter-out circuit with negative load. 	<ul style="list-style-type: none"> Used when the position needs to be held in circuit 07. 	<ul style="list-style-type: none"> Used when the position needs to be held in circuit 05. 	<ul style="list-style-type: none"> Used when precise speed control is required in circuit 01.

Name	Meter-out PC flow control	Meter-in port B pressure reducing PC flow control	Meter-out port B pressure reducing PC flow control	Meter-in port B pressure reducing position retention PC flow control	Meter-out port B pressure reducing position retention PC flow control	Meter-out 2-speed	Meter-out 2-speed position hold	Meter-in 2-pressure 2-speed	Meter-out 2-pressure 2-speed	Blocking
Circuit code	12	13	14	15	16	17	18	19	20	00
Standard control circuit										
Notes on circuit operation	<ul style="list-style-type: none"> Used when precise speed control is required in circuit 02. Brake valves, etc. to be considered with inertial load. Care required about boost pressure with negative load. 	<ul style="list-style-type: none"> Used when precise speed control is required in circuit 06. 	<ul style="list-style-type: none"> Used when precise speed control is required in circuit 07. 	<ul style="list-style-type: none"> Used when the position needs to be held in circuit 13. 	<ul style="list-style-type: none"> Used when the position needs to be held in circuit 14. 	<ul style="list-style-type: none"> Used when high-/low-speed control is required. Care required about boost pressure with negative inertial load. 	<ul style="list-style-type: none"> Used when the position needs to be held in circuit 17. 	<ul style="list-style-type: none"> Applicable to positive load. Used when high-/low-pressure control is required. High-/low-speed control possible 	<ul style="list-style-type: none"> Used when high-/low-pressure control is required. High-/low-speed control possible 	<ul style="list-style-type: none"> When the circuit is not used